

ROTATING RIGHT

MODEL 202T-6 SINGLE ACTING TRIPLEX PUMP



202T-6

A 202 horsepower 6" stroke horizontal triplex single acting plunger pump. Available in nickel-aluminum-bronze fluid end material at pump speeds up to 320 RPM and multiple accessory gear reduction unit ratios.

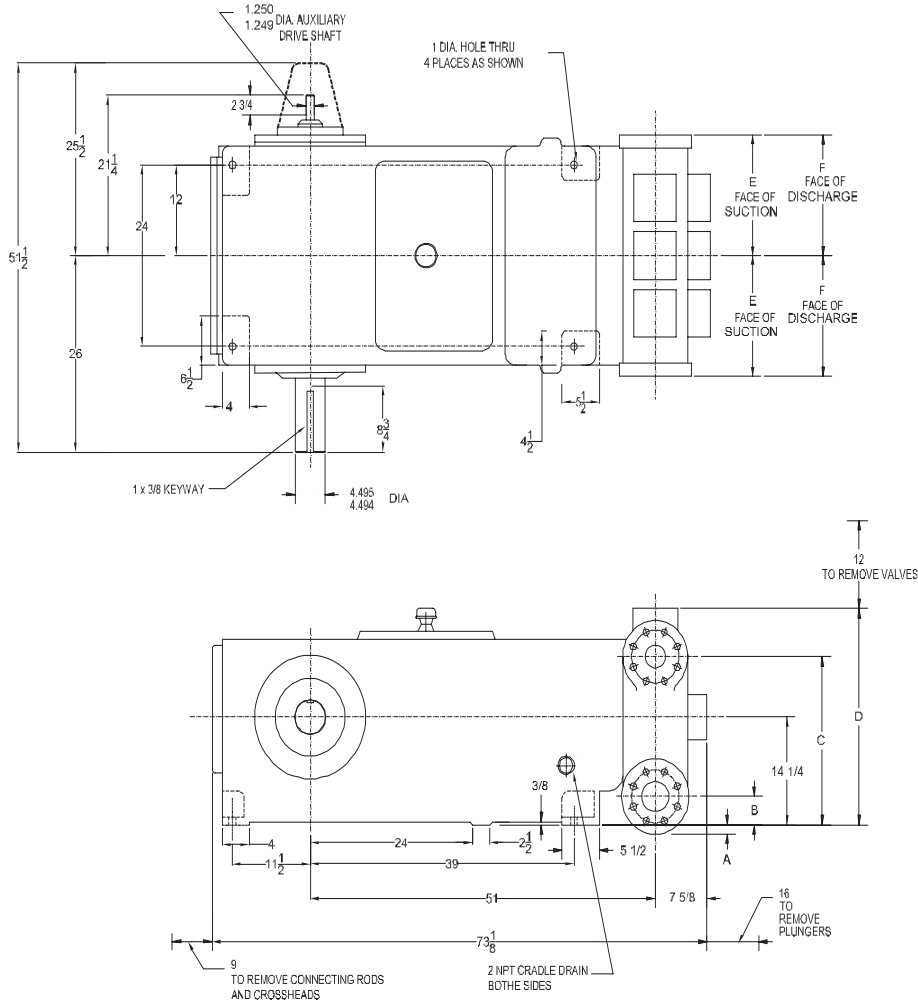
Power End Features:

- Cast Iron Power Frame
- Replaceable Stainless Steel intermediate rods
- Heavy-duty, tapered roller crankshaft bearings
- Precision type, aluminum alloy crankpin bearings
- Flooded sump, splash distribution lubrication
- Alloy steel crankshaft with ground journals and polished throws
- Ductile Iron connecting rods
- Alloy steel crosshead pins
- Bronze bearing crosshead pin bushings
- Cast iron crossheads with upper/lower oil grooves
- Rated rod load is 12500 lbs.

Fluid End Features:

- Bolt on valve covers
- 17-4 SS or Ni.Al. Bronze Steel stuffing boxes c/w nuts
- Plungers-Ceramic or Tungsten Carbide coated
- General Service, Lip Type or Aramid Fiber Plunger Packing
- Spherical suction and discharge valves
- Valve Seat & Valve Body: Nitronic 50
- Spring: Inconel
- Cage: 316L Stainless Steel
- Severe duty valves with inserts available

202T-6 Triplex Plunger Pump



Specifications

Pump Size

maximum plunger size x stroke length, in.(mm):
4 1/4 x 6 (107.9 x 152.4)

Rated bhp at 320 rpm (kw): 202 (150.58)

Rated plunger load, pounds(Kg): 12,500(5670)

Maximum discharge pressure: psi(kPa)

"L" model: 1500 (10,342)

"M" model: 3180 (21,925)

Crankshaft extension: in.(mm)

Diameter: 4.495 (114.17)

Length: 8 3/4 (222.25)

Keyway (width x depth):

1 x 3/8 (25.4 x 9.53)

Maximum recommended sheave,
in.(mm): 58 (1473)

Minimum recommended sheave,
in.(mm): 36 (914)

For larger sizes: **Contact Factory**

Pinion shaft extension,

if gear reducer is supplied, in.(mm)

For belt or chain drive:

Contact Factory

For direct drive: Diameter: 3.438 (87.33)

Length: 7 3/8 (187.33)

Keyway (width x depth):

7/8 x 7/16 (22.2 x 11.1)

Accessory gear reduction unit:

1.59:1, 1.78:1, 2.487:1, 3.12:1,

4.44:1, 5.48:1

Oil Capacity, gallons (L)

Crankcase: 34 (128.7)

Gear Reducer: **Varies with ratio**

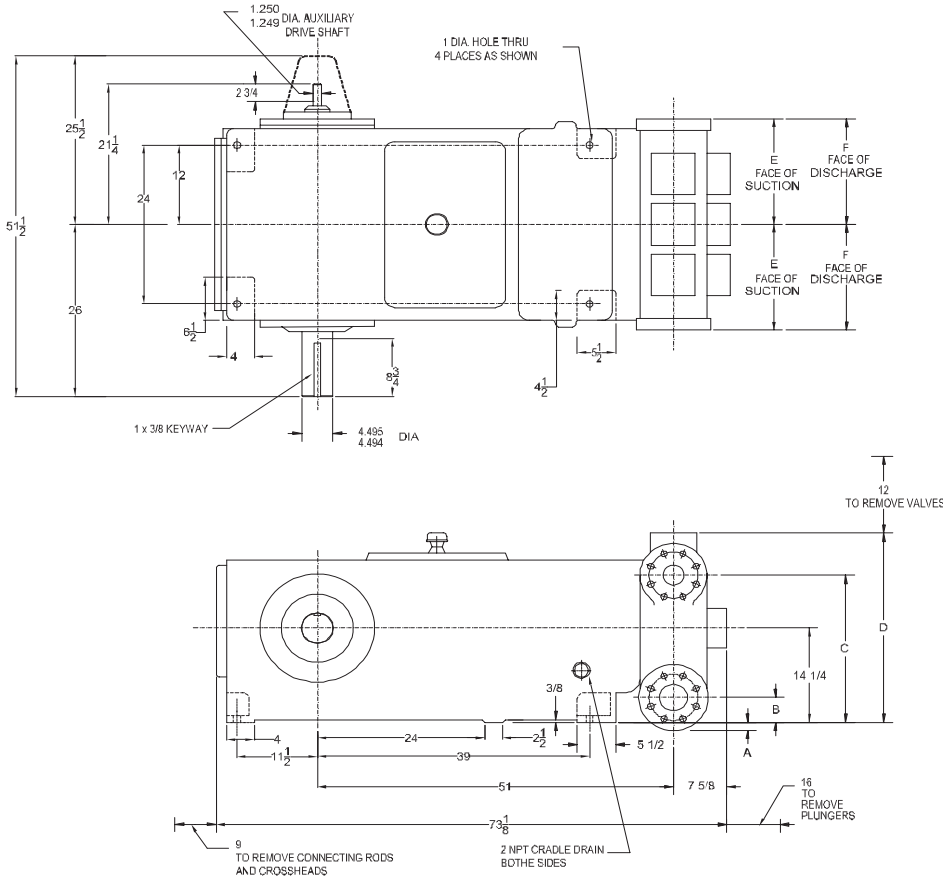
Weight, pump only on

wood shipping skids pounds (Kg):

3952 (1792.60)

Pump Model	Flange Connections		Dimensions (Inches)					
	Discharge Connection Sizes	Suction Connection Sizes	A	B	C	D	E	F
202T-6L	3 ANSI-600 L.R.	6 ANSI-150 F.F.	1 3/4	3 3/4	22 1/4	28 5/8	13 1/2	13 1/2
202T-6M	2 1/2 ANSI-1500 L.R.	4 ANSI-150 F.F.	-	5 3/4	22	28 1/4	16	16

202T-6 Triplex Plunger Pump



Specifications

Pump Size

maximum plunger size x stroke length, in.(mm):
4 1/4 x 6 (107.9 x 152.4)

Rated bhp at 320 rpm (kw): 202 (150.58)

Rated plunger load, pounds(Kg): 12,500(5670)

Maximum discharge pressure: psi(kPa)

"L" model: 1500 (10,342)

"M" model: 3180 (21,925)

Crankshaft extension: in.(mm)

Diameter: 4.495 (114.17)

Length: 8 3/4 (222.25)

Keyway (width x depth):

1 x 3/8 (25.4 x 9.53)

Maximum recommended sheave,
in.(mm): 58 (1473)

Minimum recommended sheave,
in.(mm): 36 (914)

For larger sizes: **Contact Factory**

Pinion shaft extension,

if gear reducer is supplied, in.(mm)

For belt or chain drive:

Contact Factory

For direct drive: Diameter: 3.438 (87.33)

Length: 7 3/8 (187.33)

Keyway (width x depth):

7/8 x 7/16 (22.2 x 11.1)

Accessory gear reduction unit:

1.59:1, 1.78:1, 2.487:1, 3.12:1,

4.44:1, 5.48:1

Oil Capacity, gallons (L)

Crankcase: 34 (128.7)

Gear Reducer: **Varies with ratio**

Weight, pump only on

wood shipping skids pounds (Kg):

3952 (1792.60)

Pump Model	Flange Connections		Dimensions (Inches)					
	Discharge Connection Sizes	Suction Connection Sizes	A	B	C	D	E	F
202T-6L	3 ANSI-600 L.R.	6 ANSI-150 F.F.	1 3/4	3 3/4	22 1/4	28 5/8	13 1/2	13 1/2
202T-6M	2 1/2 ANSI-1500 L.R.	4 ANSI-150 F.F.	-	5 3/4	22	28 1/4	16	16

Accessories

Rotating Right offers a full line of accessories to ensure long trouble free and safe operation of your multiplex pumps.

Accessories Include:

- Pulsation Dampeners - Suction & Discharge
- Vibration Shock Switches
- Liquid Level Gauges & Switches
- Pressure Safety Valves
- Plunger Lubricators
- Fire Safety Valves
- High Discharge Pressure Switch
- Condensate Drain
- N.A.C.E. Valving
- Lubricator Level Controller
- API Valves
- Drive Options



Expendables



With our worldwide buying power Rotating Right is well equipped to provide a wide range of replacement parts & expendables for virtually all multiplex plunger pumps regardless of make or model.

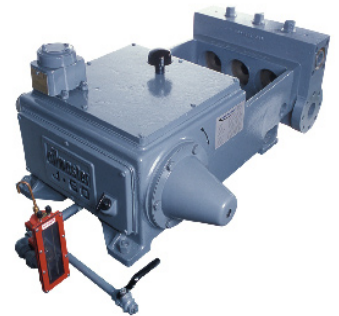


Our expendables inventory includes plungers, packing, brass, valves, bearings, crankshafts, connecting rods and seals.



Repair & Overhauls

Rotating Right service technicians follow strict quality control procedures for every pump repair and overhaul. The use of consistent and reliable re-manufacturing techniques ensure your equipment is returned to you in "Like New" condition.



Head Office:
6120 Davies Road
Edmonton, AB
T6E 4M9

Phone: (780) 485-2010 • Toll Free: (866) 707-7867
Fax: (780) 485-1938
• Calgary • Drayton Valley • Lloydminster
www.rotatingright.com