

ROTATING RIGHT

## MODEL 267Q-6 SINGLE ACTING QUINTUPLEX PUMP



### 267Q-6

A 267 horsepower 6" stroke horizontal quintuplex single acting plunger pump. Available in nickel-aluminum-bronze fluid end material at pump speeds up to 360 RPM and multiple accessory gear reduction unit ratios.

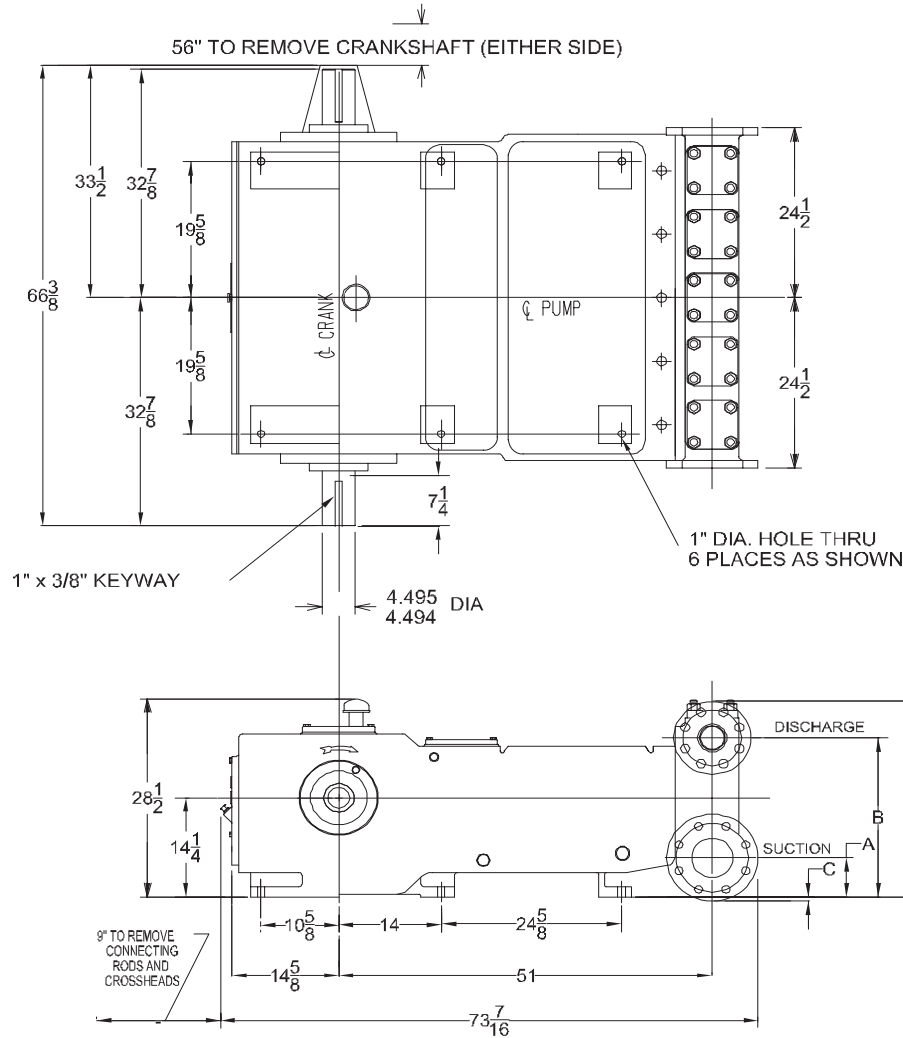
#### Power End Features:

- Cast Iron Power Frame
- Bronze Bearing Crosshead Pin Bushings
- Cast Iron Crossheads with upper/lower Oil Grooves
- Replaceable Stainless Steel Intermediate Rods
- Flooded Sump, Splash Distribution Lubrication
- Alloy Steel Crankshaft with Ground Journals and Polished Throws
- Heavy-duty, tapered roller crankshaft bearings
- Precision type, aluminum alloy crankpin bearings
- Ductile Iron connecting rods
- Alloy steel crosshead pins
- Rated rod load is 10000 lbs.

#### Fluid End Features:

- Bolt on Valve Covers
- Plungers-Ceramic or Tungsten Carbide coated
- General Service, Lip Type or Aramid Fiber Plunger Packing
- 17-4 Stainless Steel or Nickel Aluminum Bronze Stuffing Boxes c/w Nuts
- Spherical Suction and Discharge Valves
- Valve Seat & Valve Body: Nitronic 50
- Spring: Inconel
- Cage: 316L Stainless Steel
- Severe duty valves with inserts available

# 267Q-6 Quintuplex Plunger Pump



## Specifications

### Pump Size

maximum plunger size x stroke length, in.(mm):  
4 1/4 x 6 (107.0 x 152.4)

**Rated bhp** at 360 rpm (kw): 267 (199.04)

**Rated plunger load**, pounds(Kg): 10,000(4536)

**Maximum discharge pressure**: psi (kPa)

"L" model: 1420 (9791)

"M" model: 3180 (21,925)

**Crankshaft extension**: in.(mm)

Diameter: 4.495 (114.17)

Length: 7 1/4 (173.0)

Keyway (width x depth):

1 x 3/8 (25.4 x 9.53)

Maximum recommended sheave

in.(mm): 58 (1473)

Minimum recommended sheave

in.(mm): 36 (914)

For larger sizes: **Contact Factory**

**Pinion shaft extension**,

if gear reducer is supplied, in.(mm)

For belt or chain drive:

**Contact Factory**

For direct drive: Diameter: 3.375 (85.73)

Length: 4 1/2 (114.3)

Keyway (width x depth):

7/8 x 7/16 (22.2 x 11.1)

**Accessory gear reduction unit:**

2.698:1, 3.680:1, 5.50:1, 7.316:1, 9.50:1

**Oil Capacity**, gallons (L)

Crankcase: 32 (121.3)

Gear Reducer-varies with ratio:

5 1/4 to 7 1/2 (18.7 to 26.7)

**Weight**, pump only on

wood shipping skids, pounds (Kg):

6340 (2875.77)

Gear unit, approximate pounds (Kg):

2219 (1006.52)

Pump Model	Flange Connections		Dimensions in inches (mm)			
	Discharge Connection Sizes	Suction Connection Sizes	A	B	C	D
267Q-6L	4 ANSI-600 L.R.	6 ANSI-300 F.F.	4 1/2	22 7/8	1 3/4	29 3/4
267Q-6M	3 ANSI-1500 L.R.	4 ANSI-300 F.F.	5 5/8	22 3/8	-	28 7/8

# 267Q-6 Quintuplex Plunger Pump

## Performance Data

PUMP	English Units					100 RPM		150 RPM		200 RPM		250 RPM		300 RPM		320 RPM		360 * RPM			
	Plunger Dia. In.	Plunger Area Sq. In.	BPD per RPM	GPM per RPM	Max. Press. PSI	BPD	GPM	BPD	GPM	BPD	GPM	BPD	GPM	BPD	GPM	BPD	GPM	Max. Press. PSI	BPD	GPM	
267Q-6L	4.250	14.1862	63.1669	1.8424	705	6317	184.2	9476	276.4	12634	368.5	15792	460.6	18951	552.7	20214	589.6	625.0	22741	663.3	
	4.125	13.3640	59.5059	1.7356	748	5951	173.6	8926	260.3	11902	347.1	14877	433.9	17852	520.7	19042	555.4	660.0	21423	624.8	
	4.000	12.5664	55.9541	1.6320	796	5596	163.2	8394	244.8	11191	326.4	13989	408.0	16787	489.6	17906	522.2	705.0	20144	587.5	
	3.875	11.7932	52.5116	1.5316	848	5252	153.2	7877	229.7	10503	306.3	13128	382.9	15754	459.5	16804	490.1	750.0	18905	551.4	
	3.750	11.0447	49.1784	1.4344	905	4918	143.4	7377	215.2	9836	286.9	12295	358.6	14754	430.3	15738	459.0	800.0	17705	516.4	
	3.625	10.3206	45.9545	1.3403	969	4596	134.0	6894	201.1	9191	268.1	11489	335.1	13787	402.1	14706	428.9	850.0	16544	482.5	
	3.500	9.6211	42.8398	1.2495	1039	4284	124.9	6426	187.4	8568	249.9	10710	312.4	12852	374.8	13709	399.8	920.0	15423	449.8	
	3.375	8.9462	39.8345	1.1618	1118	3984	116.2	5976	174.3	7967	232.4	9959	290.5	11951	348.6	12748	371.8	980.0	14341	418.3	
	3.250	8.2958	36.9384	1.0774	1205	3694	107.7	5541	161.6	7388	215.5	9235	269.3	11082	323.2	11821	344.8	1060.0	13298	387.9	
	3.125	7.6699	34.1517	0.9961	1304	3416	99.6	5123	149.4	6831	199.2	8538	249.0	10246	298.8	10929	318.7	1150.0	12295	358.6	
	3.000	7.0686	31.4742	0.9180	1420	3148	91.8	4722	137.7	6295	183.6	7869	229.5	9443	275.4	10072	293.8	1250.0	11331	330.5	
	267Q-6M	3.000	7.0686	31.4742	0.9180	1420	3148	91.8	4722	137.7	6295	183.6	7869	229.5	9443	275.4	10072	293.8	1250.0	11331	330.5
		2.875	6.4918	28.9060	0.8431	1540	2891	84.3	4336	126.5	5782	168.6	7227	210.8	8672	252.9	9250	269.8	1360.0	10407	303.5
2.750		5.9396	26.4470	0.7714	1684	2645	77.1	3968	115.7	5290	154.3	6612	192.8	7935	231.4	8464	246.8	1480.0	9521	277.7	
2.625		5.4119	24.0974	0.7028	1848	2410	70.3	3615	105.4	4820	140.6	6025	175.7	7230	210.9	7712	224.9	1630.0	8676	253.0	
2.500		4.9087	21.8571	0.6375	2037	2186	63.7	3279	95.6	4372	127.5	5465	159.4	6558	191.2	6995	204.0	1800.0	7869	229.5	
2.375		4.4301	19.7260	0.5753	2257	1973	57.5	2959	86.3	3946	115.1	4932	143.8	5918	172.6	6313	184.1	1980.0	7102	207.1	
2.250		3.9761	17.7042	0.5164	2515	1771	51.6	2656	77.5	3541	103.3	4427	129.1	5312	154.9	5666	165.2	2220.0	6374	185.9	
2.125		3.5466	15.7917	0.4606	2820	1580	46.1	2369	69.1	3159	92.1	3948	115.1	4738	138.2	5054	147.4	2480.0	5686	165.8	
2.000		3.1416	13.9885	0.4080	3180	1399	40.8	2099	61.2	2798	81.6	3498	102.0	4197	122.4	4477	130.6	2800.0	5036	146.9	
Brake Horsepower Required						84	126	168	210	250	267									267	

PUMP	Metric Units					100 RPM		150 RPM		200 RPM		250 RPM		300 RPM		320 RPM		360 * RPM			
	Plunger Dia. mm	Plunger Area cm²	M³/Hr per RPM	L/Sec. per RPM	Max. Press. kPa	M³/Hr	L/Sec.	M³/Hr	L/Sec.	M³/Hr	L/Sec.	M³/Hr	L/Sec.	M³/Hr	L/Sec.	M³/Hr	L/Sec.	Max. Press. kPa	M³/Hr	L/Sec.	
267Q-6L	108	91.524	0.4184	0.1162	4860	41.8	11.6	62.8	17.4	83.7	23.2	104.6	29.1	125.5	34.9	133.9	37.2	4309	150.6	41.8	
	105	86.219	0.3942	0.1095	5159	39.4	10.9	59.1	16.4	78.8	21.9	98.5	27.4	118.2	32.8	126.1	35.0	4551	141.9	39.4	
	102	81.073	0.3706	0.1030	5487	37.1	10.3	55.6	15.4	74.1	20.6	92.7	25.7	111.2	30.9	118.6	32.9	4861	133.4	37.1	
	98	76.085	0.3478	0.0966	5846	34.8	9.7	52.2	14.5	69.6	19.3	87.0	24.2	104.3	29.0	111.3	30.9	5171	125.2	34.8	
	95	71.256	0.3257	0.0905	6243	32.6	9.0	48.9	13.6	65.1	18.1	81.4	22.6	97.7	27.1	104.2	29.0	5516	117.3	32.6	
	92	66.584	0.3044	0.0846	6681	30.4	8.5	45.7	12.7	60.9	16.9	76.1	21.1	91.3	25.4	97.4	27.1	5861	109.6	30.4	
	89	62.072	0.2838	0.0788	7166	28.4	7.9	42.6	11.8	56.8	15.8	70.9	19.7	85.1	23.6	90.8	25.2	6343	102.2	28.4	
	86	57.717	0.2639	0.0733	7707	26.4	7.3	39.6	11.0	52.8	14.7	66.0	18.3	79.2	22.0	84.4	23.5	6757	95.0	26.4	
	83	53.521	0.2447	0.0680	8311	24.5	6.8	36.7	10.2	48.9	13.6	61.2	17.0	73.4	20.4	78.3	21.8	7308	88.1	24.5	
	79	49.483	0.2262	0.0628	8989	22.6	6.3	33.9	9.4	45.2	12.6	56.6	15.7	67.9	18.9	72.4	20.1	7929	81.4	22.6	
	76	45.604	0.2085	0.0579	9791	20.8	5.8	31.3	8.7	41.7	11.6	52.1	14.5	62.5	17.4	66.7	18.5	8618	75.1	20.8	
	267Q-6M	76	45.604	0.2085	0.0579	9791	20.8	5.8	31.3	8.7	41.7	11.6	52.1	14.5	62.5	17.4	66.7	18.5	8618	75.1	20.8
		73	41.883	0.1915	0.0532	10621	19.1	5.3	28.7	8.0	38.3	10.6	47.9	13.3	57.4	16.0	61.3	17.0	9377	68.9	19.1
70		38.320	0.1752	0.0487	11608	17.5	4.9	26.3	7.3	35.0	9.7	43.8	12.2	52.6	14.6	56.1	15.6	10204	63.1	17.5	
67		34.915	0.1596	0.0443	12740	16.0	4.4	23.9	6.7	31.9	8.9	39.9	11.1	47.9	13.3	51.1	14.2	11238	57.5	16.0	
64		31.669	0.1448	0.0402	14046	14.5	4.0	21.7	6.0	29.0	8.0	36.2	10.1	43.4	12.1	46.3	12.9	12411	52.1	14.5	
60		28.581	0.1307	0.0369	15532	13.1	3.6	19.6	5.4	26.1	7.2	32.7	9.1	39.9	11.1	42.9	11.8	13652	47.0	13.1	
57		25.652	0.1191	0.0337	17191	11.9	3.3	17.5	4.9	23.2	6.5	28.8	8.1	35.6	10.1	39.2	10.8	15066	42.2	11.9	
54		22.881	0.1089	0.0311	19021	10.9	3.0	15.7	4.5	20.3	5.9	25.2	7.4	32.3	9.1	36.6	10.1	16599	37.7	10.9	
51		20.268	0.0927	0.0257	21925	9.3	2.6	13.9	3.9	18.5	5.1	23.2	6.4	27.8	7.7	29.7	8.2	19305	33.4	9.3	
Kilowatts Required						63	94	126	157	186	199									199	

For operation below 100 RPM, an auxiliary lubrication system is required.

Volumetric Rate is based on 100% Volumetric Efficiency. Brake Horsepower/Kilowatts Required is based on 90% Mechanical Efficiency. Not all plunger sizes are shown. Contact National-Oilwell for additional information. \*Pump speeds in excess of 320 rpm require specific approval of the manufacturer. Viscosity, temperature, velocities, and other fluid properties or characteristics combined with the inherent mechanical efficiencies of pumps may result in less than optimum operations. We have applied this conservatism to assure you of total performance.

## Accessories

Rotating Right offers a full line of accessories to ensure long trouble free and safe operation of your multiplex pumps.

### Accessories Include:

- Pulsation Dampeners - Suction & Discharge
- Vibration Shock Switches
- Liquid Level Gauges & Switches
- Pressure Safety Valves
- Plunger Lubricators
- Fire Safety Valves
- High Discharge Pressure Switch
- Condensate Drain
- N.A.C.E. Valving
- Lubricator Level Controller
- API Valves
- Drive Options



## Expendables



With our worldwide buying power Rotating Right is well equipped to provide a wide range of replacement parts & expendables for virtually all multiplex plunger pumps regardless of make or model.

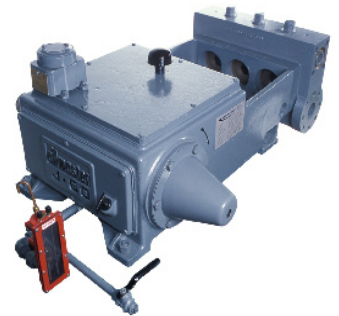


Our expendables inventory includes plungers, packing, brass, valves, bearings, crankshafts, connecting rods and seals.



## Repair & Overhauls

Rotating Right service technicians follow strict quality control procedures for every pump repair and overhaul. The use of consistent and reliable re-manufacturing techniques ensure your equipment is returned to you in "Like New" condition.



**Head Office:**  
6120 Davies Road  
Edmonton, AB  
T6E 4M9

Phone: (780) 485-2010 • Toll Free: (866) 707-7867  
Fax: (780) 485-1938  
• Calgary • Drayton Valley • Lloydminster  
[www.rotatingright.com](http://www.rotatingright.com)