

ROTATING RIGHT

## MODEL 55T-3 SINGLE ACTING TRIPLEX PUMP



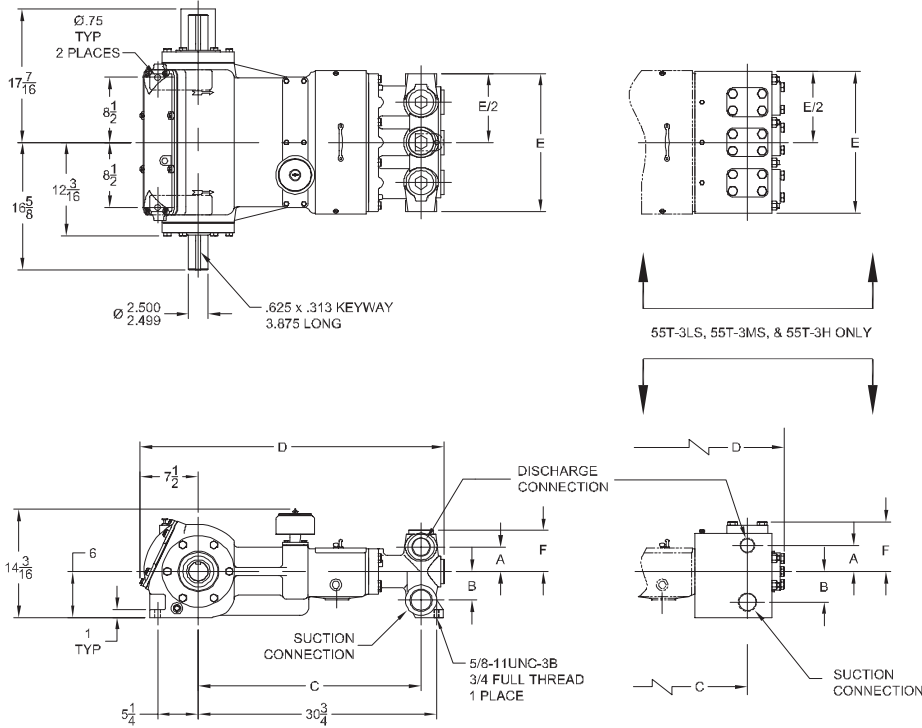
### 55T-3

A 55 horsepower 3" stroke horizontal triplex single acting plunger pump. Available in three different fluid end materials at pump speeds up to 500 RPM.

#### **Features:**

- Cast iron power frame
- Heavy-duty roller crankshaft bearings
- Cast iron crossheads with upper/lower oil grooves
- Stainless steel extension rods
- Precision type crankpin bearings
- Ductile iron connecting rods
- Alloy steel crosshead pins
- Bronze bearing crosshead pin bushings
- Flooded sump, splash distribution lubrication
- Rated rod load is 4370 lbs

# 55T-3 Triplex Plunger Pump



## Specifications

### Pump Size:

maximum plunger size x stroke length, in.(mm)  
2.500 x 3.000 (63.5 x 76.2)

**Rated BHP (kW) at 500 RPM:** 55 (41)

**Rated plunger load, pounds (kg):** 4370 (1982)

**Maximum discharge pressure:** psi (kPa)

“L” model: 1391 (9591)

“SC” model: 1817 (12527)

“LS” model: 1480 (10204)

“M” model: 1817 (12527)

“MS” model: 2473 (17050)

“H” model: 3300 (22753)

### Crankshaft extension:

Diameter, in.(mm): 2.500 (63.5)

Length, in.(mm): 3.875 (98.43)

Keyway width x depth, in.(mm):

5/8 x 5/16 (15.88 x 7.94)

Maximum recommended sheave  
in.(mm): 38 (965.2)

For larger sizes: **Contact Factory**

### Oil Capacity, gallons (L)

Crankcase: 2.50 (9.46)

### Weight, pump only on

wood shipping skids, pounds (kg): 1070 (485)

Weight varies with pump model

### Standard Materials for Fluid Ends:

“L” & “M” models

Cast Nickel-Aluminum-Bronze

“SC” model

Cast Ductile Iron

“LS”, “MS”, & “H” models

Carbon Steel Plate

Pump Model	Flange Connections		Dimensions (Inches)					
	Discharge Connection Sizes	Suction Connection Sizes	A	B	C	D	E	F
55T-3L	2 (50.8)-11 1/2 NPT	2 1/2 (63.5)-8 NPT	3 3/16	3 3/4	28 3/4	39 3/16	18	5 11/32
55T-3SC	2 (50.8)-11 1/2 NPT	2 1/2 (63.5)-8 NPT	3 3/16	3 3/4	28 3/4	41	18	6 13/32
55T-3LS	1 1/2 (38.1)-11 1/2 NPT	2 (50.8)-11 1/2 NPT	3 3/8	4	28 3/4	41	18 1/2	6 15/32
55T-3M	2 (50.8)-11 1/2 NPT	2 1/2 (63.5)-8 NPT	3 3/16	3 3/4	28 3/4	39 3/16	18	5 11/32
55T-3MS	1 1/2 (38.1)-11 1/2 NPT	2 (50.8)-11 1/2 NPT	3 3/8	4	28 3/4	41	18 1/2	6 15/32
55T-3H	1 1/2 (38.1)-11 1/2 NPT	2 (50.8)-11 1/2 NPT	3 3/8	4	28 3/4	41	18 1/2	6 15/32

# 55T-3 Triplex Plunger Pump

## Performance Data

PUMP	English Units					100 RPM		200 RPM		250 RPM		350 RPM		420 RPM		500 * RPM		
	Plunger Dia. In.	Plunger Area Sq. In.	BPD per RPM	GPM per RPM	Max. Press. PSI	BPD	GPM	BPD	GPM	BPD	GPM	BPD	GPM	BPD	GPM	BPD	GPM	
55T-3L	2.500	4.9087	6.5571	0.1912	890	656	19.12	1312	38.25	1640	47.81	2295	66.94	2754	80.32	3279	95.62	
(3364-7)	2.250	3.9761	5.3113	0.1549	1099	532	15.49	1063	30.98	1328	38.73	1859	54.22	2231	65.06	2656	77.46	
	2.000	3.1416	4.1966	0.1224	1391	420	12.24	840	24.48	1050	30.60	1469	42.84	1763	51.41	2099	61.20	
55T-3SC	2.250	3.9761	5.3113	0.1549	1099	532	15.49	1063	30.98	1328	38.73	1859	54.22	2231	65.06	2656	77.46	
(3364-5SC)	2.000	3.1416	4.1966	0.1224	1391	420	12.24	840	24.48	1050	30.60	1469	42.84	1763	51.41	2099	61.20	
	1.750	2.4053	3.2130	0.0937	1817	322	9.37	643	18.74	804	23.43	1125	32.80	1350	39.36	1607	46.86	
55T-3LS	2.500	4.9087	6.5571	0.1912	890	656	19.12	1312	38.25	1640	47.81	2295	66.94	2754	80.32	3279	95.62	
(3364-6)	2.250	3.9761	5.3113	0.1549	1099	532	15.49	1063	30.98	1328	38.73	1859	54.22	2231	65.06	2656	77.46	
	2.000	3.1416	4.1966	0.1224	1391	420	12.24	840	24.48	1050	30.60	1469	42.84	1763	51.41	2099	61.20	
	1.750	2.4053	3.2130	0.0937	1480	322	9.37	643	18.74	804	23.43	1125	32.80	1350	39.36	1607	46.86	
55T-3M	1.750	2.4053	3.2130	0.0937	1817	322	9.37	643	18.74	804	23.43	1125	32.80	1350	39.36	1607	46.86	
(3364-3)	1.500	1.7671	2.3606	0.0688	1817	237	6.88	473	13.77	591	17.21	827	24.10	992	28.92	1181	34.42	
	1.250	1.2272	1.6393	0.0478	1817	164	4.78	328	9.56	410	11.95	574	16.73	689	20.08	820	23.91	
55T-3MS	1.750	2.4053	3.2130	0.0937	1817	322	9.37	643	18.74	804	23.43	1125	32.80	1350	39.36	1607	46.86	
(3364-2)	1.500	1.7671	2.3606	0.0688	2473	237	6.88	473	13.77	591	17.21	827	24.10	992	28.92	1181	34.42	
55T-3H	1.250	1.2272	1.6393	0.0478	3300	164	4.78	328	9.56	410	11.95	574	16.73	689	20.08	820	23.91	
(3364-1)	1.000	0.7854	1.0491	0.0306	3300	105	3.06	210	6.12	263	7.65	368	10.71	441	12.85	525	15.30	
	Brake Horsepower Required					11		22		28		39		46		55		

PUMP	Metric Units					100 RPM		200 RPM		250 RPM		350 RPM		420 RPM		500 * RPM		
	Plunger Dia. mm	Plunger Area cm <sup>2</sup>	M <sup>3</sup> /Hr per RPM	L/Sec. per RPM	Max. Press. kPa	M <sup>3</sup> /Hr	L/Sec.	M <sup>3</sup> /Hr	L/Sec.	M <sup>3</sup> /Hr	L/Sec.	M <sup>3</sup> /Hr	L/Sec.	M <sup>3</sup> /Hr	L/Sec.	M <sup>3</sup> /Hr	L/Sec.	
55T-3L	64	31.669	0.0434	0.0121	6138	4.34	1.21	8.69	2.41	10.86	3.02	15.20	4.22	18.24	5.07	21.72	6.03	
(3364-7)	57	25.652	0.0352	0.0098	7578	3.52	0.98	7.04	1.95	8.80	2.44	12.31	3.42	14.78	4.10	17.59	4.89	
	51	20.268	0.0278	0.0077	9591	2.78	0.77	5.56	1.54	6.95	1.93	9.73	2.70	11.67	3.24	13.90	3.86	
55T-3SC	57	25.652	0.0352	0.0098	7578	3.52	0.98	7.04	1.95	8.80	2.44	12.31	3.42	14.78	4.10	17.59	4.89	
(3364-5SC)	51	20.268	0.0278	0.0077	9591	2.78	0.77	5.56	1.54	6.95	1.93	9.73	2.70	11.67	3.24	13.90	3.86	
	44	15.518	0.0213	0.0059	12527	2.13	0.59	4.26	1.18	5.32	1.48	7.45	2.07	8.94	2.48	10.64	2.96	
55T-3LS	64	31.669	0.0434	0.0121	6138	4.34	1.21	8.69	2.41	10.86	3.02	15.20	4.22	18.24	5.07	21.72	6.03	
(3364-6)	57	25.652	0.0352	0.0098	7578	3.52	0.98	7.04	1.95	8.80	2.44	12.31	3.42	14.78	4.10	17.59	4.89	
	51	20.268	0.0278	0.0077	9591	2.78	0.77	5.56	1.54	6.95	1.93	9.73	2.70	11.67	3.24	13.90	3.86	
	44	15.518	0.0213	0.0059	10204	2.13	0.59	4.26	1.18	5.32	1.48	7.45	2.07	8.94	2.48	10.64	2.96	
55T-3M	44	15.518	0.0213	0.0059	12527	2.13	0.59	4.26	1.18	5.32	1.48	7.45	2.07	8.94	2.48	10.64	2.96	
(3364-3)	38	11.401	0.0156	0.0043	12527	1.56	0.43	3.13	0.87	3.91	1.09	5.47	1.52	6.57	1.82	7.82	2.17	
	32	7.917	0.0109	0.0030	12527	1.09	0.30	2.17	0.60	2.71	0.75	3.80	1.06	4.56	1.27	5.43	1.51	
55T-3MS	44	15.518	0.0213	0.0059	12527	2.13	0.59	4.26	1.18	5.32	1.48	7.45	2.07	8.94	2.48	10.64	2.96	
(3364-2)	38	11.401	0.0156	0.0043	17050	1.56	0.43	3.13	0.87	3.91	1.09	5.47	1.52	6.57	1.82	7.82	2.17	
55T-3H	32	7.917	0.0109	0.0030	22753	1.09	0.30	2.17	0.60	2.71	0.75	3.80	1.06	4.56	1.27	5.43	1.51	
(3364-1)	25	5.067	0.0069	0.0019	22753	0.69	0.19	1.39	0.39	1.74	0.48	2.43	0.68	2.92	0.81	3.47	0.97	
	Kilowatts Required					8		16		21		29		35		41		

For operation below 100 RPM, an auxiliary lubrication system is required.

Volumetric Rate is based on 100% Volumetric Efficiency. Brake Horsepower/Kilowatts Required is based on 90% Mechanical Efficiency.\*For Speeds above 420 RPM - consult the Factory.

The information and data on this sheet is accurate to the best of our knowledge and belief, but are intended for general information only. Applications suggested for the materials are described only to help readers make their own evaluations and decisions, and are neither guarantees nor to be construed as express or implied warranties of suitability for these or other applications. National Oilwell makes no warranty either express or implied beyond that stipulated in National Oilwell Standard Terms and Conditions of Sale.

## Accessories

Rotating Right offers a full line of accessories to ensure long trouble free and safe operation of your multiplex pumps.

### Accessories Include:

- Pulsation Dampeners - Suction & Discharge
- Vibration Shock Switches
- Liquid Level Gauges & Switches
- Pressure Safety Valves
- Plunger Lubricators
- Fire Safety Valves
- High Discharge Pressure Switch
- Condensate Drain
- N.A.C.E. Valving
- Lubricator Level Controller
- API Valves
- Drive Options



## Expendables



With our worldwide buying power Rotating Right is well equipped to provide a wide range of replacement parts & expendables for virtually all multiplex plunger pumps regardless of make or model.

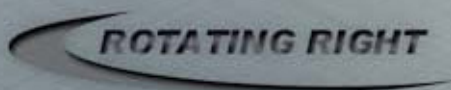
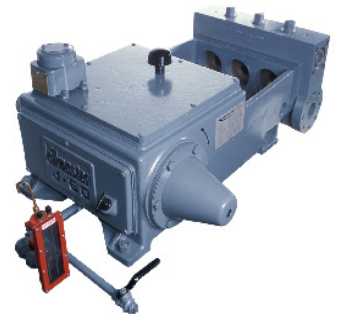


Our expendables inventory includes plungers, packing, brass, valves, bearings, crankshafts, connecting rods and seals.



## Repair & Overhauls

Rotating Right service technicians follow strict quality control procedures for every pump repair and overhaul. The use of consistent and reliable re-manufacturing techniques ensure your equipment is returned to you in "Like New" condition.



**Head Office:**  
6120 Davies Road  
Edmonton, AB  
T6E 4M9

Phone: (780) 485-2010 • Toll Free: (866) 707-7867  
Fax: (780) 485-1938  
• Calgary • Drayton Valley • Lloydminster  
[www.rotatingright.com](http://www.rotatingright.com)