

ROTATING RIGHT

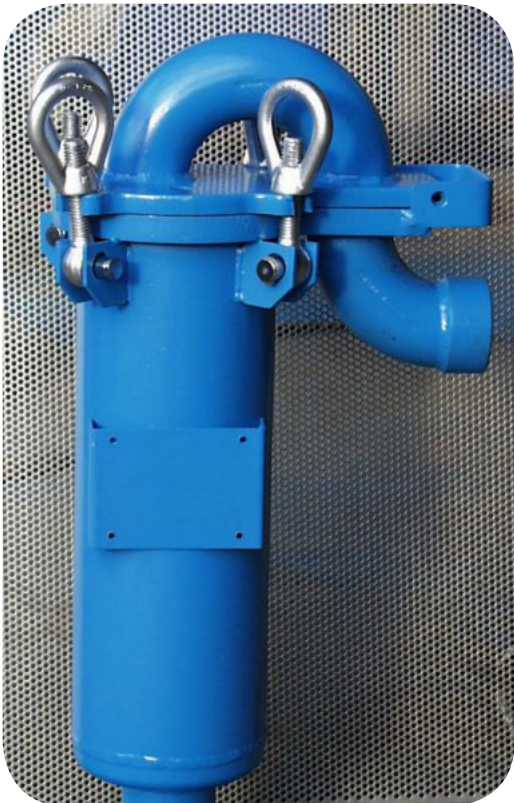
## FS-20 SINGLE BAG FILTER HOUSINGS

The 20 US gpm model FS-20 has an over the top design constructed of carbon steel or stainless steel and may be epoxy coated for aggressive liquids.

### Features:

- Continuous flow design
- High capacity-low pressure drop
- Easy bag change-out
- Customizable design

Typical applications include: water, ink, petro chemicals, oil & gas, food industry, automotive, paint, kitchens and pharmaceuticals.



Rotating Right offers a wide range of filter systems, along with the guidance necessary to install, operate and service them.

In addition, we have an array of technologies to choose from, including:

Bag filters, Cartridge filters, Media filtration, disposable filters (cartridges, bags, paper).

All our filtration products are available as single units or complete skid mounted high-pressure filter systems with ancillary equipment.

We offer Filter Bags for all available Filter Vessels

Sizes: P1, P2, P3, P4, P5, P6, P7, P8, P9, P12, PC1, PC2, C1, C2, and RP bags.

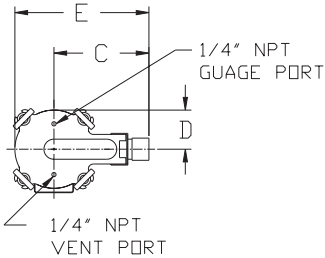
Carbon steel rings are standard; plastic and stainless rings, plastic tops, lifting handles, covers and glazing are available.

Accommodates flow rates from 1 up to 10,000 gpm

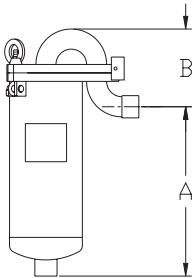
Bags available in most materials and micron ratings  
CRN AVAILABLE FOR MOST MODELS

# FS-20

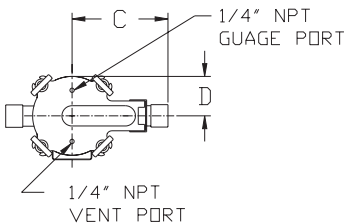
## STYLE ONE



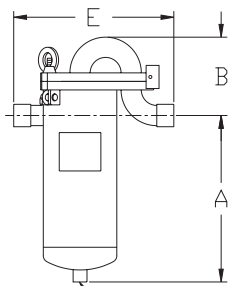
FITTING SIZE	A	B	C	D	E
STD. 1 FNPT	7	6-3/4	7-3/8	2-7/8	10-3/16
1-1/2 FNPT	7	6-3/4	7-3/8	2-7/8	10-3/16



## STYLE TWO

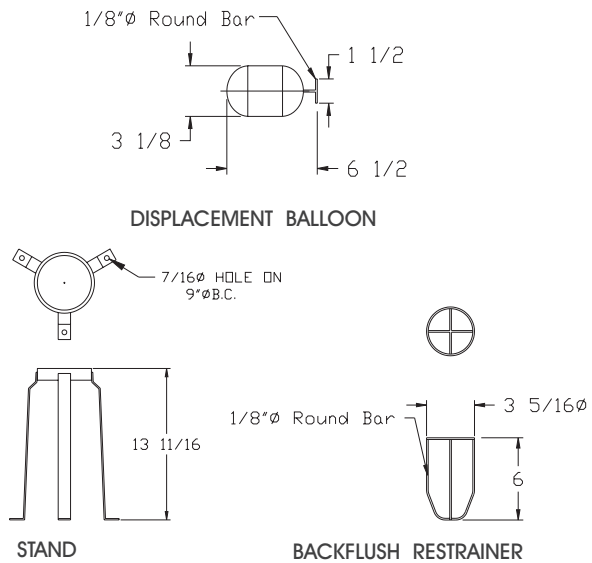


FITTING SIZE	A	B	C	D	E
STD. 1" FNPT	7	6-3/4	7-3/8	2-7/8	11-3/4
1-1/2" FNPT	7	6-3/4	7-3/8	2-7/8	11-3/4



1/2" NPT DRAIN

## OPTIONS



SHIPPING WEIGHT	19 lbs.
VOLUME	1/2 US. gal.
DESIGN PRESSURE	150 psig. @ 225 F°

INFORMATION ON THIS SHEET IS FOR SALES REFERENCE ONLY



**Head Office:**  
6120 Davies Road  
Edmonton, AB  
T6E 4M9

Phone: (780) 485-2010 • Toll Free: (866) 707-7867  
Fax: (780) 485-1938  
• Edmonton • Calgary • Drayton Valley  
[www.rotatingright.com](http://www.rotatingright.com)