

ROTATING RIGHT

## FS-20 CL SINGLE BAG FILTER HOUSINGS



The FS-20 SE filter housing is designed for continuous flow up to 20 US GPM or for small batch operations.

Typical applications include: water, ink, petro chemicals, oil & gas, food industry, automotive, paint, kitchens and pharmaceuticals.

Rotating Right offers a wide range of filter systems, along with the guidance necessary to install, operate and service them.

In addition, we have an array of technologies to choose from, including:

Bag filters, Cartridge filters, Media filtration , disposable filters (cartridges, bags, paper).

All our filtration products are available as single units or complete skid mounted high-pressure filter systems with ancillary equipment.

We offer Filter Bags for all available Filter Vessels

Sizes: P1, P2, P3, P4, P5, P6, P7, P8, P9, P12, PC1, PC2, C1, C2, and RP bags.

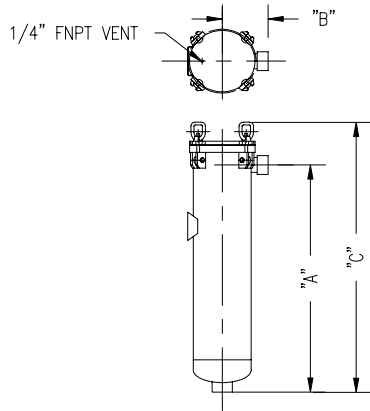
Carbon steel rings are standard; plastic and stainless rings, plastic tops, lifting handles, covers and glazing are available.

Accommodates flow rates from 1 up to 10,000 gpm

Bags available in most materials and micron ratings  
CRN AVAILABLE FOR MOST MODELS

# FS-20-CL

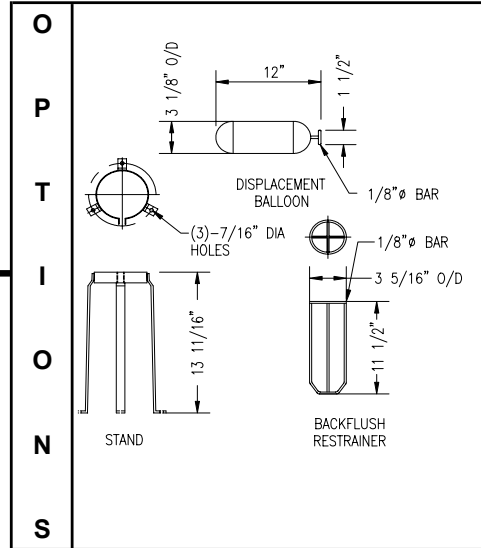
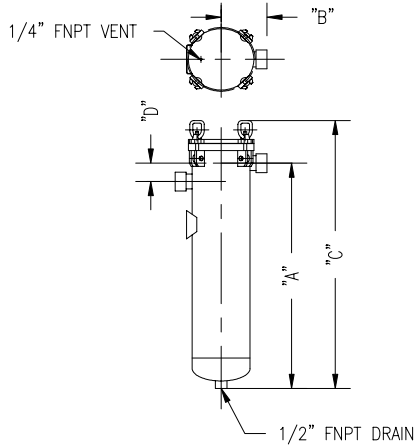
## STYLE ONE



FITTING SIZE	A	B	C
1" FNPT	9 1/2"	4 1/2"	14 1/2"
1 1/2" FNPT	9 1/2"	4 1/2"	14 1/2"

STD

## STYLE TWO



FITTING SIZE	A	B	C	D
1" FNPT	9 1/4"	4 1/2"	14 1/2"	5"
1 1/2" FNPT	9 1/4"	4 1/2"	14 1/2"	5"

STD

SHIPPING WEIGHT 12 LBS  
 VOLUME 1/2 US GAL  
 DESIGN PRESSURE 150 PSIG @ 225 F



**Head Office:**  
 6120 Davies Road  
 Edmonton, AB  
 T6E 4M9

Phone: (780) 485-2010 • Toll Free: (866) 707-7867  
 Fax: (780) 485-1938  
 • Edmonton • Calgary • Drayton Valley  
[www.rotatingright.com](http://www.rotatingright.com)