

ROTATING RIGHT

FS-40 SINGLE BAG FILTER HOUSINGS



The 40 US gpm model FS-40 has an over the top entry design constructed of carbon steel or stainless steel and may be epoxy coated for aggressive liquids.

Features:

- Continuous flow design
- High capacity-low pressure drop
- Easy bag change-out
- Customizable design

Typical applications include: water, ink, petro chemicals, oil & gas, food industry, automotive, paint, kitchens and pharmaceuticals.

Rotating Right offers a wide range of filter systems, along with the guidance necessary to install, operate and service them.

In addition, we have an array of technologies to choose from, including:

Bag filters, Cartridge filters, Media filtration , disposable filters (cartridges, bags, paper).

All our filtration products are available as single units or complete skid mounted high-pressure filter systems with ancillary equipment.

We offer Filter Bags for all available Filter Vessels

Sizes: P1, P2, P3, P4, P5, P6, P7, P8, P9, P12, PC1, PC2, C1, C2, and RP bags.

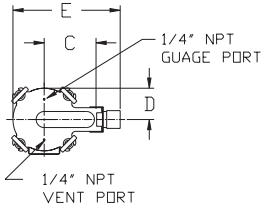
Carbon steel rings are standard; plastic and stainless rings, plastic tops, lifting handles, covers and glazing are available.

Accommodates flow rates from 1 up to 10,000 gpm

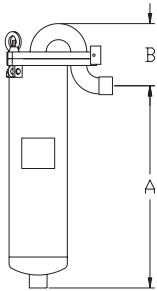
Bags available in most materials and micron ratings
CRN AVAILABLE FOR MOST MODELS

FS-40

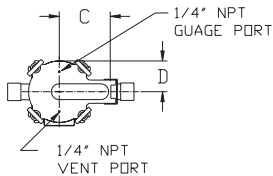
STYLE ONE



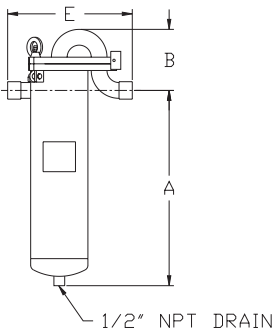
FITTING SIZE	A	B	C	D	E
1 FNPT	12-1/2	6-3/4	7-3/8	2-7/8	10-3/16
STD. 1-1/2 FNPT	12-1/2	6-3/4	7-3/8	2-7/8	10-3/16



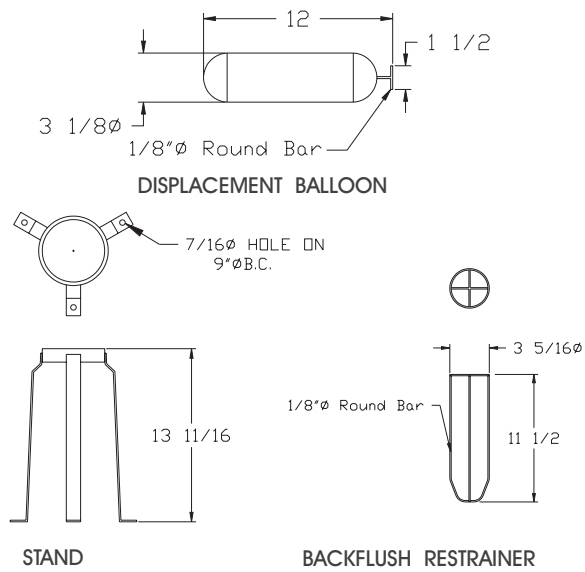
STYLE TWO



FITTING SIZE	A	B	C	D	E
1" FNPT	12-1/2	6-3/4	7-3/8	2-7/8	11-3/4
STD. 1-1/2" FNPT	12-1/2	6-3/4	7-3/8	2-7/8	11-3/4



OPTIONS



SHIPPING WEIGHT	21 lbs.
VOLUME	1 US. gal.
DESIGN PRESSURE	150 psig. @ 225 F°

INFORMATION ON THIS SHEET IS FOR SALES REFERENCE ONLY



Head Office:
6120 Davies Road
Edmonton, AB
T6E 4M9

Phone: (780) 485-2010 • Toll Free: (866) 707-7867
Fax: (780) 485-1938
• Edmonton • Calgary • Drayton Valley
www.rotatingright.com