

ROTATING RIGHT

FS-90 SE SINGLE BAG FILTER HOUSINGS



The FS-90 SE filter housings are compact space saving filters designed for flow rates up to 90 US gpm.

Typical applications include: water, ink, petro chemicals, oil & gas, food industry, automotive, paint, kitchens and pharmaceuticals.

Rotating Right offers a wide range of filter systems, along with the guidance necessary to install, operate and service them.

In addition, we have an array of technologies to choose from, including:

Bag filters, Cartridge filters, Media filtration , disposable filters (cartridges, bags, paper).

All our filtration products are available as single units or complete skid mounted high-pressure filter systems with ancillary equipment.

We offer Filter Bags for all available Filter Vessels

Sizes: P1, P2, P3, P4, P5, P6, P7, P8, P9, P12, PC1, PC2, C1, C2, and RP bags.

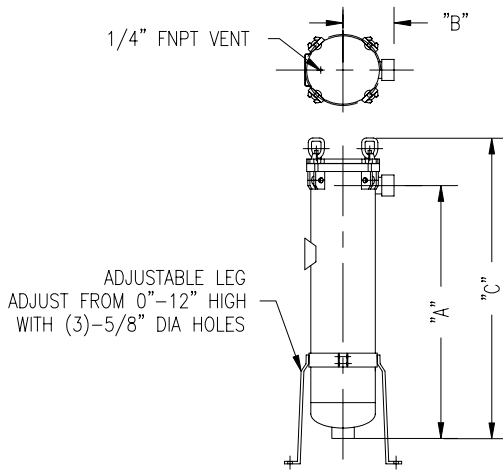
Carbon steel rings are standard; plastic and stainless rings, plastic tops, lifting handles, covers and glazing are available.

Accommodates flow rates from 1 up to 10,000 gpm

Bags available in most materials and micron ratings
CRN AVAILABLE FOR MOST MODELS

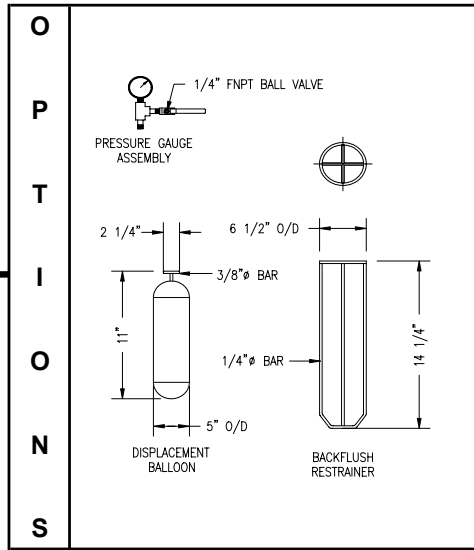
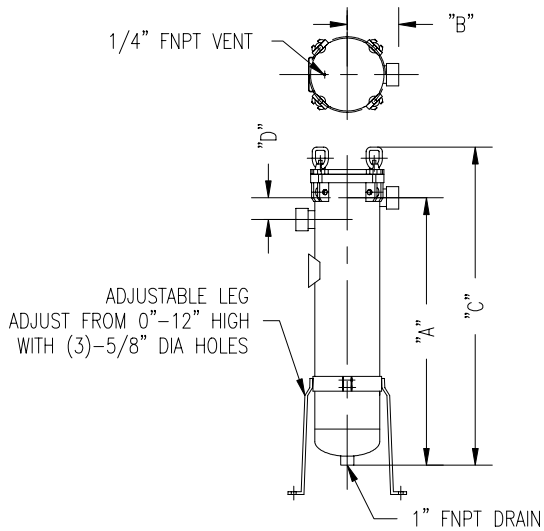
FS-90-SE

STYLE ONE



FITTING SIZE	A	B	C
2" FNPT	20 1/2"	6 3/4"	26 1/2"
2 1/2" FNPT	20 3/4"	6 3/4"	27 1/2"
3" FNPT	21"	7"	28 1/2"

STYLE TWO



FITTING SIZE	A	B	C	D
2" FNPT	19 1/2"	6 3/4"	26 1/2"	5"
2 1/2" FNPT	20"	6 3/4"	26 1/2"	6"
3" FNPT	20 1/2"	7"	26 1/2"	6"

SHIPPING WEIGHT 80 LBS
VOLUME 7 1/4 US GAL
DESIGN PRESSURE 150 PSIG @ 225 F



Head Office:
 6120 Davies Road
 Edmonton, AB
 T6E 4M9

Phone: (780) 485-2010 • Toll Free: (866) 707-7867
 Fax: (780) 485-1938
 • Edmonton • Calgary • Drayton Valley
www.rotatingright.com