

ROTATING RIGHT

MODEL D - DA PORTABLE MIXERS



Model D

Model DA

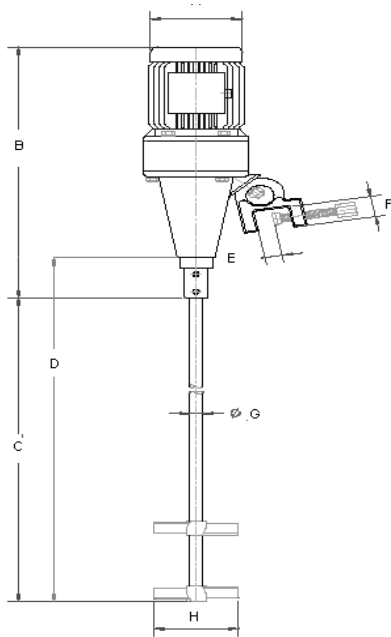
- Electric or air driven ¼ to 5 HP
- 316L stainless steel Shafts and impellers
- Aluminum alloy housings with heavy duty, corrosion resistant brass clamps. Available in stainless steel or other alloys
- Available with Inverter, AC variable frequency or SCR/DC drives in NEMA 1 or 4 enclosures
- Direct Drive... 1150, 1750 or 3450 rpm
- Clamp or Cup Base mounting
- Numerous Impeller styles available
- Options include: Stainless Steel Motors, Sanitary finishes, Coated shafts & impellers, All Stainless steel mixers, Shafts & Impellers in other alloys.

MixMor heavy-duty direct drive mixers use standard NEMA C face motors mounted on aluminum drive housings. The housing encloses a double sealed ball bearing, with a lower lip seal for additional protection, to provide outboard support for the quill shaft, which is subject to stresses from the mixer shaft. Mixer mounts with a heavy-duty brass clamp with hand wheels for fastening, thus eliminating the need for special tools or wrenches. The clamp and drive housing have a ball and socket assembly to allow 360° rotation on the horizontal plane and 100° on the vertical plane for optimum mixer shaft angle.

Impeller Selection -

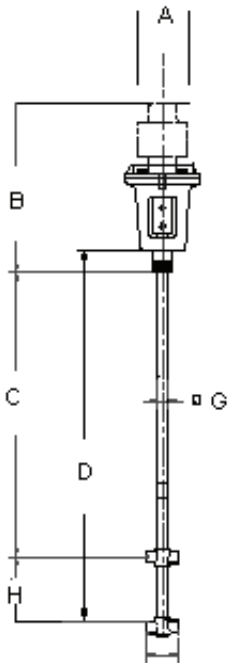
- FloMor High Efficiency Hydrofoils, Three, Four and Wide Blade Designs
- Square and Hi-Pitch Propellers
- Pitched Blade Turbines, Three and Four Blade Designs
- ShearMor Disperser Disks, Hi-Flow and Hi-Shear
- Folding and Custom Impellers





DIRECT DRIVE - ELECTRIC

Model	HP	Dimensions Inches								Weight Lbs
		A	B	C	D	E	F	G	H Dual Prop Dia.	
D-14	1/4	6	17	35	36	3	3	5/8	3 1/2	34
D-13	1/3	6	17	35	36	3	3	5/8	4	35
D-12	1/2	7	20	46	48	3 3/4	3 3/4	5/8	4 1/2	52
D-34	3/4	7	21	46	48	3 3/4	3 3/4	5/8	5	55
D-11	1	7	21	58	60	3 3/4	3 3/4	7/8	6	80
D-15	1 1/2	9	21	58	60	3 3/4	3 3/4	7/8	6 1/2	112
D-2	2	9	23	58	60	3 3/4	3 3/4	7/8	7	123
D-3	3	11	24	58	60	3 3/4	3 3/4	7/8	7 1/2	169
D-5	5	11	25	58	60	3 3/4	3 3/4	7/8	7 1/2	182



DIRECT DRIVE - AIR

Model	HP	Dimensions Inches								Weight Lbs
		A	B	C	D	E	F	G	H Dual Prop Dia.	
DA-13	1/3	6 1/2	12	35	36	3	3	5/8	4	34
DA-11	1	6 1/2	12	45	48	3	3	5/8	6	35
DA-2	2	6 1/2	16 1/2	58	60	3 3/4	3 3/4	7/8	4 1/2	52
DA-4	4	6 1/2	18	58	60	3 3/4	3 3/4	7/8	5	55



Head Office:
6120 Davies Road
Edmonton, AB
T6E 4M9

Phone: (780) 485-2010 • Toll Free: (866) 707-7867
Fax: (780) 485-1938
• Calgary • Drayton Valley • Lethbridge
www.rotatingright.com