

ROTATING RIGHT

## MODEL G - GA PORTABLE MIXERS



- Electric or air driven ¼ to 5 HP
- 316L stainless steel Shafts and impellers
- Aluminum alloy housings with heavy duty, corrosion resistant brass clamps. Available in stainless steel or other alloys
- Available with Inverter, AC variable frequency or SCR/DC drives in NEMA 1 or 4 enclosures
- Gear Drive... 230, 290, 350 or 420 rpm
- Helical gears with high service factors and lifetime lubrication
- Clamp or Cup Base mounting
- Numerous Impeller styles available
- Options include: Stainless Steel Motors, Sanitary finishes, Coated shafts & impellers, All Stainless steel mixers, Shafts & Impellers in other alloys

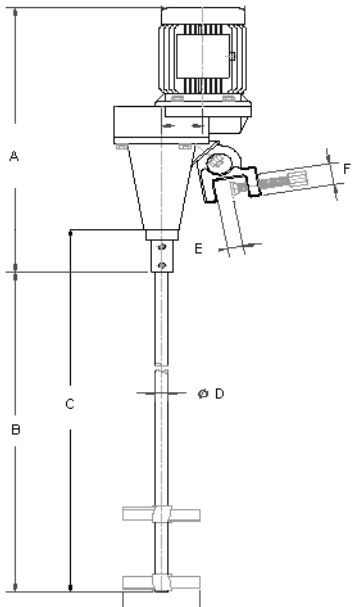
**MixMor** heavy-duty gear drive mixers use standard NEMA C face motors mounted on aluminum gear drive housings. Housings enclose helical gears with a double sealed ball bearing with upper and lower seals for or additional protection. Reducers are grease lubricated for life. Mixer mounts with a heavy-duty brass clamp with hand wheels for fastening, thus eliminating the need for special tools or wrenches. The clamp and drive housing have a ball and socket assembly to allow 360° rotation on the horizontal plane and 100° on the vertical plane for optimum shaft angle.

### Impeller Selection -

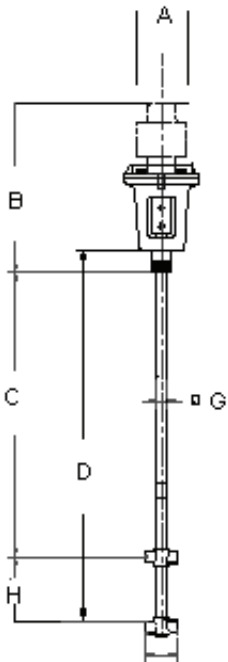
- FloMor High Efficiency Hydrofoils, Three, Four and Wide Blade Designs
- Square and Hi-Pitch Propellers
- Pitched Blade Turbines, Three and Four Blade Designs
- ShearMor Disperser Disks, Hi-Flow and Hi-Shear
- Folding and Custom Impellers



## GEAR DRIVE - ELECTRIC



Model	HP	Dimensions Inches						G Dual Prop Dia.	Weight Lbs
		A	B	C	D	E	F		
G-14	1/4	6	18	32	36	5 5/8	3 3/4	7	45
G-13	1/3	6	18	32	36	5 5/8	3 3/4	8	47
G-12	1/2	7	20	46	48	6 3/8	3 3/4	10	95
G-34	3/4	7	21	46	48	6 3/8	3 3/4	11	100
G-11	1	7	21	58	60	6 3/8	3 3/4	12	105
G-15	1 1/2	9	22	58	60	6 3/8	3 3/4	13	109
G-2	2	9	22	58	60	6 3/8	3 3/4	14	120
G-3	3	11	24	58	60	6 3/8	3 3/4	15	140
G-5	5	11	25	58	60	6 3/8	3 3/4	16	165



## GEAR DRIVE - AIR

Model	HP	Dimensions Inches						G Dual Prop Dia.	Weight Lbs
		A	B	C	D	E	F		
GA-13	1/3	14	32	36	36	5/8	3 3/4	8	45
GA-11	1	16	58	60	48	5/8	3 3/4	12	80
GA-2	2	16 1/2	58	60	60	7/8	3 3/4	14	95
GA-4	4	18	58	60	60	7/8	3 3/4	15	105



**Head Office:**  
6120 Davies Road  
Edmonton, AB  
T6E 4M9

Phone: (780) 485-2010 • Toll Free: (866) 707-7867  
Fax: (780) 485-1938  
• Calgary • Drayton Valley • Lethbridge  
[www.rotatingright.com](http://www.rotatingright.com)