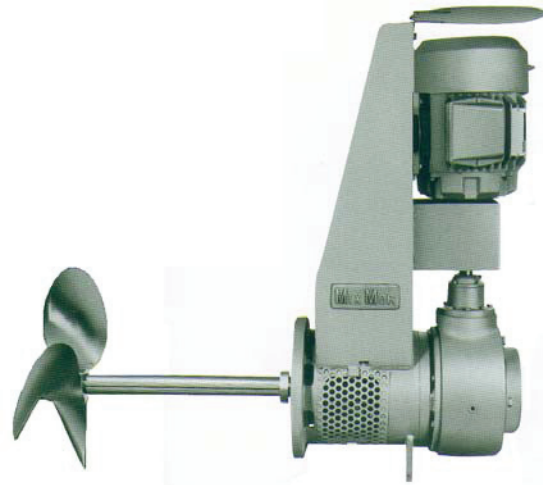


## MODEL HG GEAR DRIVEN SIDE ENTRY MIXERS

- Horsepower Range 1 to 60
- 316L stainless steel Shafts and impellers
- All welded construction
- Reduction – single Helical Gear
- Output speeds... 280, or 420 rpm
- Heavy duty construction assures long life with minimum maintenance
- Numerous Impeller styles available
- Extensively used in food, chemical, asphalt and other processing industries
- Mixers can be furnished with single or double mechanical seals or conventional stuffing boxes with quenching, flushing or water jacket options



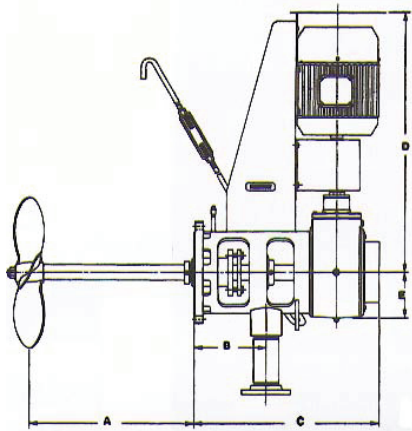
**Dependable & Proven** - The MixMor Model HG is a rugged gear-driven side-entering mixer, which will provide years of continuous trouble-free service while efficiently handling a wide range of applications. Side entering mixers are used for blending, storage and off-bottom solid suspension applications.

They are commonly used in major industries such as petroleum, crude oil, gasoline, chemical, edible oil, asphalt and paper mills. Because of their low initial cost and easy installation, side entering mixers are often preferred for large tanks where mixing is easily accomplished or for large storage tank applications.

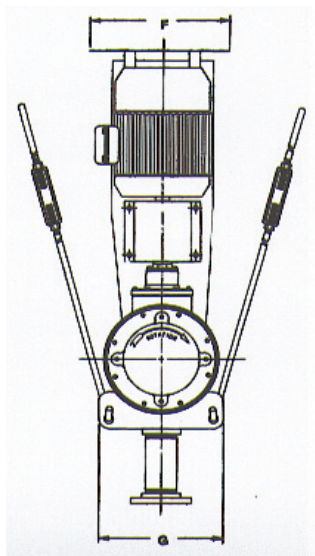
### Impeller Selection -

- FloMor High Efficiency Hydrofoils, Three, Four and Wide Blade Designs
- Square and Hi-Pitch Propellers
- Pitched Blade Turbines, Three and Four Blade Designs
- ShearMor Disperser Disks, Hi-Flow and Hi-Shear
- Folding and Custom Impellers





420 RPM Model	H P	Shaft Dia	Prop. Dia.	Flange Size	Dimensions Inches							WT. Lbs
					A	B	C	D	E	F	G	
HG-1	1	1.5	To Suit Application	8-150#	24	8.5	23	27.5	5	7.5	13	415
HG-1.5	1.5	1.5		8-150#	24	8.5	23	27.5	5	7.5	13	415
HG-2	2	1.5		8-150#	24	8.5	23	27.5	5	7.5	13	420
HG-3	3	1.5		8-150#	24	8.5	23	31	5	9.5	13	425
HG-5	5	2		8-150#	24	8.5	23	31	6	9.5	13	513
HG-7.5	7.5	2		8-150#	24	8.5	23	33	6	10.5	13	518
HG-10	10	2		8-150#	24	8.5	23	33	6	10.5	13	523
HG-15	15	2.5		8-150#	24	8.5	24	41	6	12.5	13	633
HG-20	20	2.5		8-150#	24	8.5	24	41	6	12.5	13	563
HG-25	25	2.5		8-150#	24	8.5	24	43	6	14	13	563
HG-30	30	2.5		10-150#	30	8.5	28	49	9	14	16	780
HG-30	30	3		12-150#	30	8.5	49	53	9	14	16	795
HG-40	40	3		12-150#	30	11	28	53	9	16	16	830
HG-50	50	3		12-150#	30	11	28	53	9	16	16	860
HG-60	60	3		12-150#	30	11	28	56	9	17.5	18	865



280 RPM Model	HP	Shaft Dia	Prop. Dia.	Flange Size	Dimensions Inches							WT. Lbs
					A	B	C	D	E	F	G	
HG-1	1	2	To Suit Application	8-150#	24	8.5	23	27.5	6	7.5	13	508
HG-1.5	1.5	2		8-150#	24	8.5	23	31	6	9.5	13	508
HG-2	2	2		8-150#	24	8.5	23	31	6	9.5	13	513
HG-3	3	2		8-150#	24	8.5	23	33	6	10.5	13	518
HG-5	5	2		8-150#	24	8.5	23	33	6	10.5	13	553
HG-7.5	7.5	2		8-150#	24	8.5	23	41	6	12.5	13	558
HG-10	10	2.5		8-150#	24	8.5	23	41	6	12.5	13	563
HG-10	10	2.5		10-150#	24	8.5	24	41	6	12.5	16	573
HG-15	15	2.5		10-150#	24	8.5	24	43	6	14	16	573
HG-20	20	2.5		10-150#	26	8.5	24	53	6	14	16	603
HG-25	25	2.5		10-150#	26	11	26	53	9	16	16	800
HG-25	25	3		12-150#	30	11	28	53	9	16	16	820
HG-30	40	3		12-150#	30	11	28	53	9	16	16	820
HG-40	50	3		12-150#	30	11	28	56	9	17.5	16	870
HG-50	60	3		12-150#	30	11	28	66	9	17.5	16	900



**Head Office:**  
6120 Davies Road  
Edmonton, AB  
T6E 4M9

Phone: (780) 485-2010 • Toll Free: (866) 707-7867  
Fax: (780) 485-1938  
• Calgary • Drayton Valley • Lethbridge  
[www.rotatingright.com](http://www.rotatingright.com)