

Oilmaster®

60T

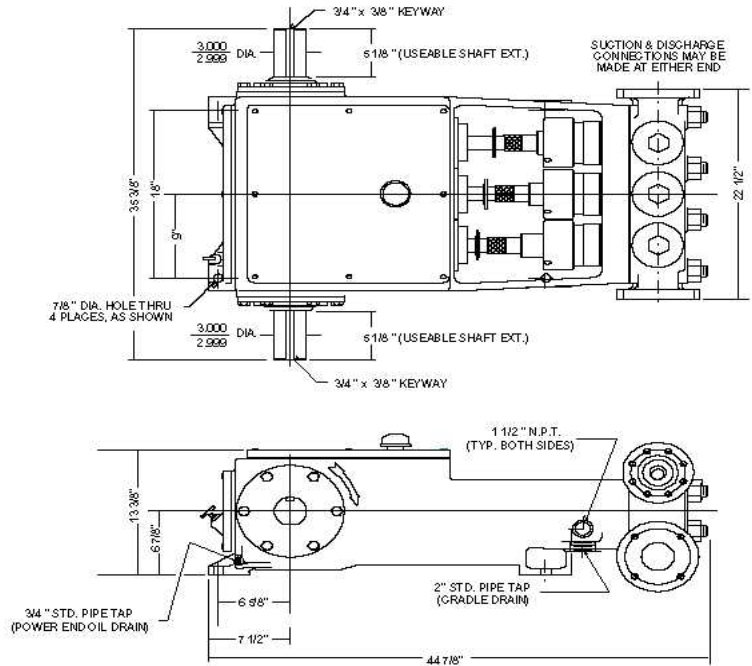
Triplex Plunger Pump

Specifications:

Stroke Length: in (mm)	3	(76.2)
Rated power at 500 RPM: hp (kw)	60	(45)
Rated Plunger Load: lbs (Kg)	4750	(2154)
Maximum discharge working pressure:psi (bar)		
"L" Series	1512	(104)
"M" Series	3199	(221)
"H" Series	5000	(345)
Oil Capacity: gallons (liters)		
Crankcase	2	(7.6)
Gear unit	1	(3.8)
Weight: lbs (kg)		
Pump only	1145	(519)

Optional Accessories:

- Bolt-on gear reducer
- Packing lubrication
- Positive crankcase lubrication



	Plgr. Dia. (in.)	Plgr. Area (in ²)	GPR	BPD per RPM	Max Pres. psi	200 RPM		250 RPM		300 RPM		350 RPM		400 RPM		450 RPM		500 RPM	
						GPM	BPD	GPM	BPD	GPM	BPD	GPM	BPD	GPM	BPD	GPM	BPD	GPM	BPD
60T-L	3	7.069	0.275	9.44	672	55	1888	69	2361	83	2833	96	3305	110	3777	124	4249	138	4721
	2 3/4	5.940	0.231	7.93	800	46	1587	58	1984	69	2380	81	2777	93	3174	104	3570	116	3967
	2 1/2	4.909	0.191	6.56	968	38	1311	48	1639	57	1967	67	2295	77	2623	86	2951	96	3279
	2 1/4	3.976	0.155	5.31	1195	31	1062	39	1328	46	1593	54	1859	62	2125	70	2390	77	2656
	2	3.142	0.122	4.20	1512	24	839	31	1049	37	1259	43	1469	49	1679	55	1888	61	2098
60T-M	2	3.142	0.122	4.20	1512	24	839	31	1049	37	1259	43	1469	49	1679	55	1888	61	2098
	1 3/4	2.405	0.094	3.21	1975	19	643	23	803	28	964	33	1125	37	1285	42	1446	47	1607
	1 5/8	2.074	0.081	2.77	2290	16	554	20	693	24	831	28	970	32	1108	36	1247	40	1385
	1 1/2	1.767	0.069	2.36	2688	14	472	17	590	21	708	24	826	28	944	31	1062	34	1180
60T-H	1 3/8	1.485	0.058	1.98	3199	12	397	14	496	17	595	20	694	23	793	26	893	29	992
	1 1/4	1.227	0.048	1.64	3871	9.6	328	12	410	14	492	17	574	19	656	22	738	24	820
	1 1/8	0.994	0.039	1.33	4779	7.7	266	9.7	332	12	398	14	465	15	531	17	598	19	664
	1	0.785	0.031	1.05	5000	6.1	210	7.7	262	9.2	315	11	367	12	420	14	472	15	525



Head Office:
6120 Davies Road
Edmonton, AB
T6E 4M9

Phone: (780) 485-2010 • Toll Free: (866) 707-7867
Fax: (780) 485-1938
• Calgary • Drayton Valley • Lethbridge
www.rotatingright.com