

ROTATING RIGHT

FS-40 CL SINGLE BAG FILTER HOUSINGS

The FS-40 CL filter housing has a Clamp Lock Lid and is designed for continuous flow up to 40 US GPM or for small batch operations.



Typical applications include: water, ink, petro chemicals, oil & gas, food industry, automotive, paint, kitchens and pharmaceuticals.

Rotating Right offers a wide range of filter systems, along with the guidance necessary to install, operate and service them.

In addition, we have an array of technologies to choose from, including:

Bag filters, Cartridge filters, Media filtration , disposable filters (cartridges, bags, paper).

All our filtration products are available as single units or complete skid mounted high-pressure filter systems with ancillary equipment.

We offer Filter Bags for all available Filter Vessels

Sizes: P1, P2, P3, P4, P5, P6, P7, P8, P9, P12, PC1, PC2, C1, C2, and RP bags.

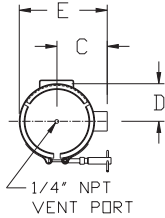
Carbon steel rings are standard; plastic and stainless rings, plastic tops, lifting handles, covers and glazing are available.

Accommodates flow rates from 1 up to 10,000 gpm

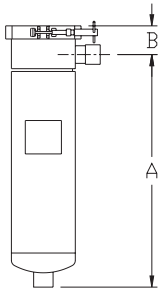
Bags available in most materials and micron ratings
CRN AVAILABLE FOR MOST MODELS

FS-40-CL

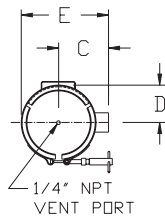
STYLE ONE



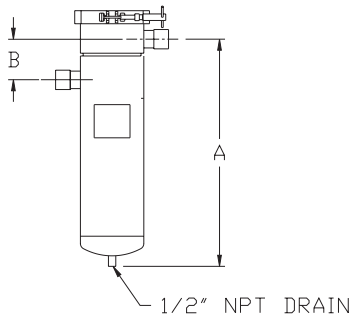
| FITTING SIZE | A | B | C | D | E |
|-----------------|--------|-------|-------|---|-------|
| 1 FNPT | 16-1/4 | 2-3/4 | 4-1/2 | 3 | 6-1/4 |
| STD. 1-1/2 FNPT | 16-1/4 | 2-3/4 | 4-1/2 | 3 | 6-1/4 |



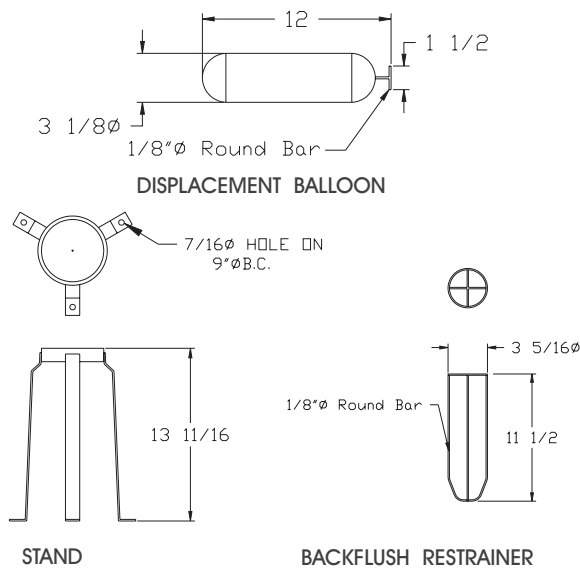
STYLE TWO



| FITTING SIZE | A | B | C | D | E |
|-------------------|--------|---|-------|---|---|
| 1" FNPT | 16-1/4 | 3 | 4-1/2 | 4 | 9 |
| STD. 1-1/2" FNPT. | 16-1/4 | 3 | 4-1/2 | 4 | 9 |



OPTI ONS



| | |
|-----------------|--------------------|
| SHIPPING WEIGHT | 15 lbs. |
| VOLUME | 1 US. gal. |
| DESIGN PRESSURE | 150 psig. @ 225 F° |

INFORMATION ON THIS SHEET IS FOR SALES REFERENCE ONLY



Head Office:
6120 Davies Road
Edmonton, AB
T6E 4M9

Phone: (780) 485-2010 • Toll Free: (866) 707-7867
Fax: (780) 485-1938
• Edmonton • Calgary • Drayton Valley
www.rotatingright.com