

ROTATING RIGHT

FS-360-D DUPLIX BAG FILTER HOUSINGS



The FS-360-D filter housings are designed for continuous flow up to 360 US GPM and large batch operations.

Typical applications include: water, ink, petro chemicals, oil & gas, food industry, automotive, paint, kitchens and pharmaceuticals.

Rotating Right offers a wide range of filter systems, along with the guidance necessary to install, operate and service them.

In addition, we have an array of technologies to choose from, including:

Bag filters, Cartridge filters, Media filtration , disposable filters (cartridges, bags, paper).

All our filtration products are available as single units or complete skid mounted high-pressure filter systems with ancillary equipment.

We offer Filter Bags for all available Filter Vessels

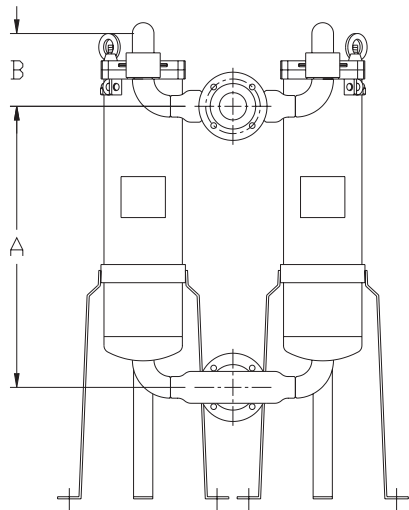
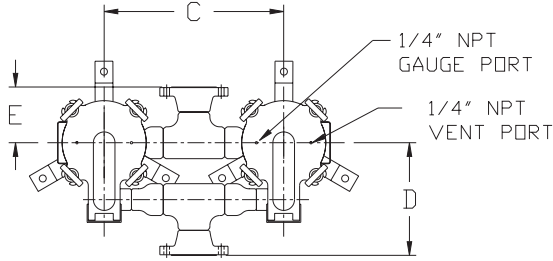
Sizes: P1, P2, P3, P4, P5, P6, P7, P8, P9, P12, PC1, PC2, C1, C2, and RP bags.

Carbon steel rings are standard; plastic and stainless rings, plastic tops, lifting handles, covers and glazing are available.

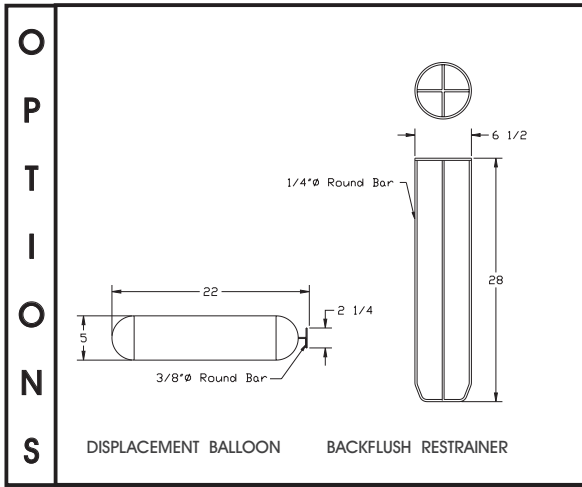
Accommodates flow rates from 1 up to 10,000 gpm

Bags available in most materials and micron ratings
CRN AVAILABLE FOR MOST MODELS

FS-360D



LEGS ADJUSTABLE
FROM 0 - 12 IN.
MOUNTED THROUGH 5/8 ϕ
HOLE ON A 16" B.C.D.



FITTING SIZE		A	B	C	D	E
STD.	2" FLG	31	8	11	11	5
	2-1/2" FLG	31	8	19	11-3/4	5-3/4
	3" FLG	31	8	19-3/4	12-1/8	6-1/8

SHIPPING WEIGHT	270 lbs.
VOLUME	14-1/2 US. gal.
DESIGN PRESSURE	150 psig. @ 225 F°

INFORMATION ON THIS SHEET IS FOR SALES REFERENCE ONLY



Head Office:
6120 Davies Road
Edmonton, AB
T6E 4M9

Phone: (780) 485-2010 • Toll Free: (866) 707-7867
Fax: (780) 485-1938
• Edmonton • Calgary • Drayton Valley
www.rotatingright.com