

ROTATING RIGHT

## FS-360 SE-D DUPLIX BAG FILTER HOUSINGS

The FS-360 SE-D filter housings are designed for continuous flow up to 360 US GPM and large batch operations.



Typical applications include: water, ink, petro chemicals, oil & gas, food industry, automotive, paint, kitchens and pharmaceuticals.

Rotating Right offers a wide range of filter systems, along with the guidance necessary to install, operate and service them.

In addition, we have an array of technologies to choose from, including:

Bag filters, Cartridge filters, Media filtration , disposable filters (cartridges, bags, paper).

All our filtration products are available as single units or complete skid mounted high-pressure filter systems with ancillary equipment.

We offer Filter Bags for all available Filter Vessels

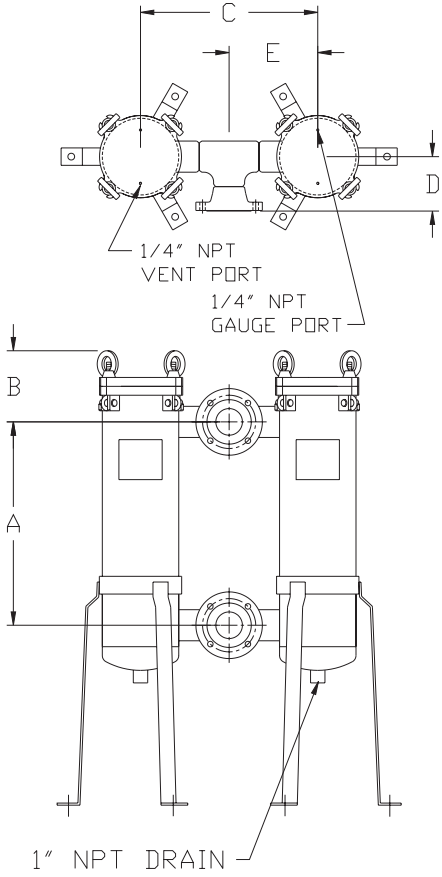
Sizes: P1, P2, P3, P4, P5, P6, P7, P8, P9, P12, PC1, PC2, C1, C2, and RP bags.

Carbon steel rings are standard; plastic and stainless rings, plastic tops, lifting handles, covers and glazing are available.

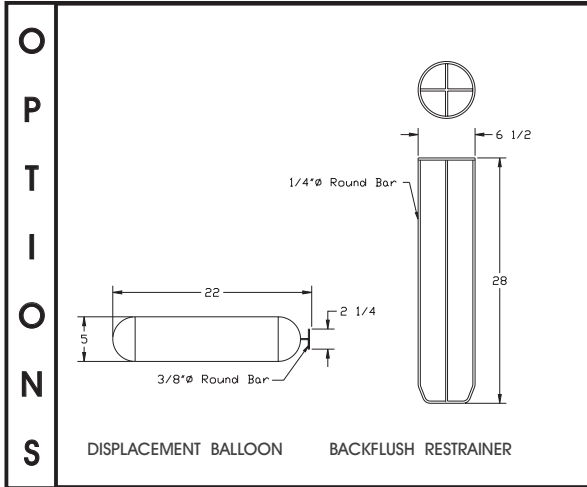
Accommodates flow rates from 1 up to 10,000 gpm

Bags available in most materials and micron ratings  
CRN AVAILABLE FOR MOST MODELS

# FS-360SED



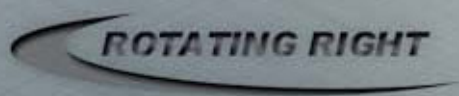
LEGS ADJUSTABLE FROM 0 - 12 IN.  
MOUNTED THROUGH 5/8" HOLES ON A 16" RCN



		A	B	C	D	E
STD.	2" FLG	23	8	19-3/4	5	9-7/8
	2-1/2" FLG	23	8	19-3/4	5-3/4	9-7/8
	3" FLG	23	8	19-3/4	6-1/8	9-7/8

SHIPPING WEIGHT	230 lbs.
VOLUME	14-1/2 US. gal.
DESIGN PRESSURE	150 psig. @ 225 °F

INFORMATION ON THIS SHEET IS FOR SALES REFERENCE ONLY



**Head Office:**  
6120 Davies Road  
Edmonton, AB  
T6E 4M9

Phone: (780) 485-2010 • Toll Free: (866) 707-7867  
Fax: (780) 485-1938  
• Edmonton • Calgary • Drayton Valley  
[www.rotatingright.com](http://www.rotatingright.com)