

ROTATING RIGHT

FS-1260 MULTI BAG FILTER HOUSINGS



The FS-1260 Multi Bag filter housings are designed for continuous flow up to 1260 US GPM.

Typical applications include: water, ink, petro chemicals, oil & gas, food industry, automotive, paint, kitchens and pharmaceuticals.

Rotating Right offers a wide range of filter systems, along with the guidance necessary to install, operate and service them.

In addition, we have an array of technologies to choose from, including:

Bag filters, Cartridge filters, Media filtration , disposable filters (cartridges, bags, paper).

All our filtration products are available as single units or complete skid mounted high-pressure filter systems with ancillary equipment.

We offer Filter Bags for all available Filter Vessels

Sizes: P1, P2, P3, P4, P5, P6, P7, P8, P9, P12, PC1, PC2, C1, C2, and RP bags.

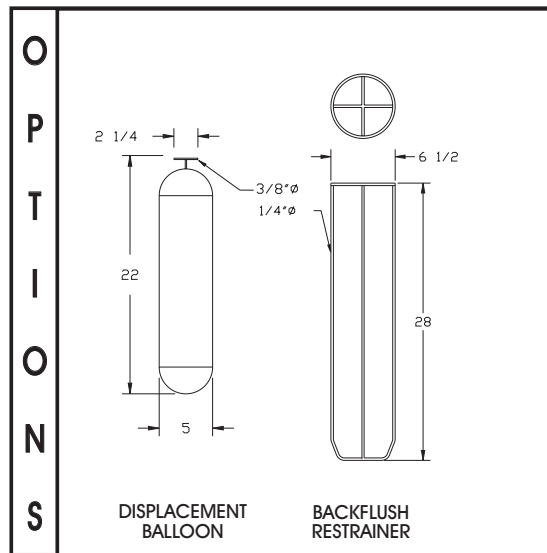
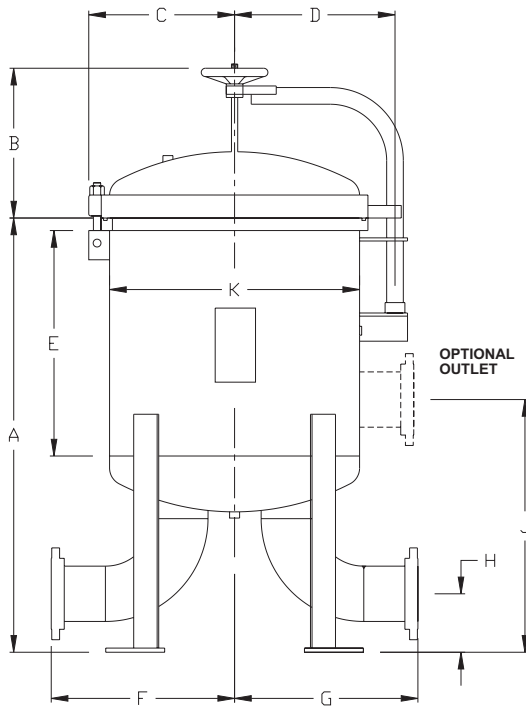
Carbon steel rings are standard; plastic and stainless rings, plastic tops, lifting handles, covers and glazing are available.

Accommodates flow rates from 1 up to 10,000 gpm

Bags available in most materials and micron ratings
CRN AVAILABLE FOR MOST MODELS

FS-1260

7 BAG



FITTING SIZE	A	B	C	D	E	F	G	H	J	K
6" FLG	51	18-1/4	18-3/8	19-1/4	28	21	15	6-1/2	33-1/4	30
STD. 8" FLG	58	18-1/4	18-3/8	19-1/4	28	24-1/2	18-1/2	7-3/4	33 1/4	30

SHIPPING WEIGHT	1300 lbs.
VOLUME	120 US. gal.
DESIGN PRESSURE	150 psig. @ 225 °F

INFORMATION ON THIS SHEET IS FOR SALES REFERENCE ONLY



Head Office:
6120 Davies Road
Edmonton, AB
T6E 4M9

Phone: (780) 485-2010 • Toll Free: (866) 707-7867
Fax: (780) 485-1938
• Edmonton • Calgary • Drayton Valley
www.rotatingright.com