

ROTATING RIGHT

MODEL W-600 SINGLE ACTING WELL SERVICE PUMP



W-600

A 600 horsepower 6" stroke intermittent duty single acting well service plunger pump. Equipped with forged alloy steel mono-block fluid end and rated at pump speeds up to 450 RPM and maximum discharge pressures up to 25,000 psi. Equipped with 4.68:1 external gear reduction unit.

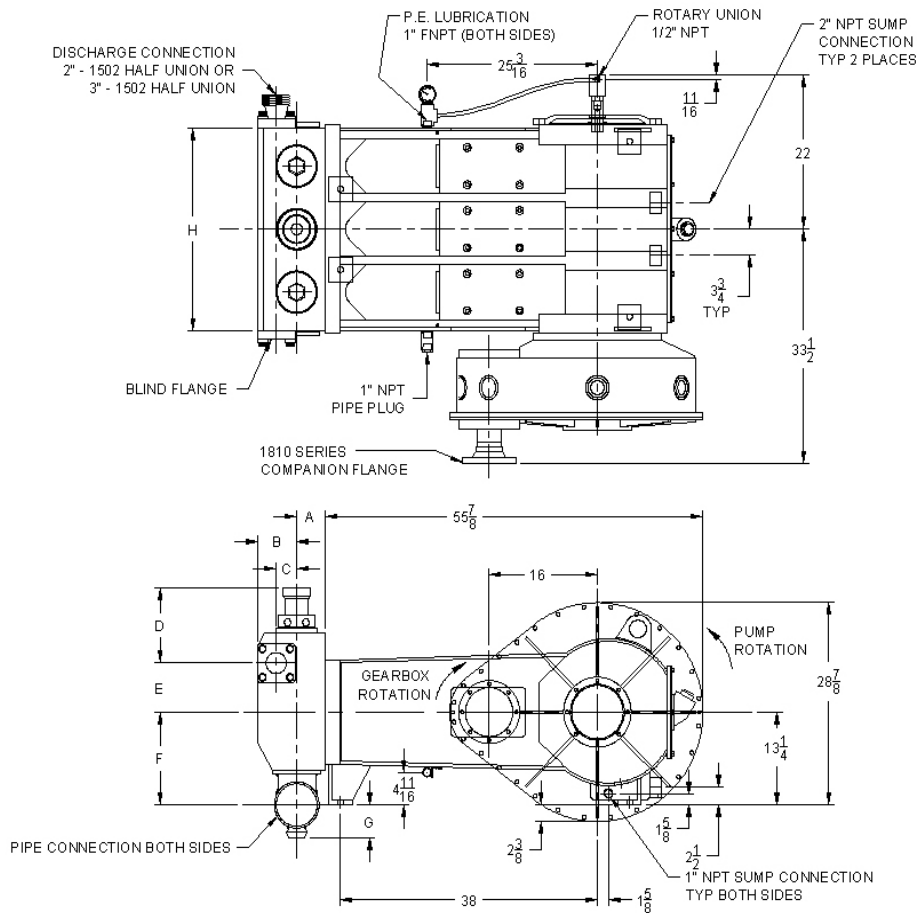
Power End Features

- Alloy steel power frame
- Helical gears
- Roller main bearings
- Taper roll pinion bearings
- Alloy steel crankshaft
- Replaceable crosshead guides

Fluid End Features

- Alloy steel mono-block forging
- Multiple discharge ports
- Mechanical oil drip packing lubricator
- Integral Valve Cover Threads
- Optional air/hydraulic packing lubricator
- 2" 1502 discharge connection
- Roughneck/service master II valves and seats

W-600 Triplex Plunger Pump



SPECIFICATIONS:

Pump Type:

Horizontal Reciprocating Power Pump. Positive Displacement with Single-Acting Plungers

Maximum Input Horsepower:

600 Intermittent, 250 Continuous

Stroke Length:

6 inches

Maximum Rod Load:

100,000 lbs.

Approximate Weight:

5,000 lbs.

Pump Power End:

Fabricated of High Strength Steel

Gears:

Helical, External Gearbox

Gear Ratio:

4.68:1

Rod Bearings:

Shell Type Replaceable

Main Bearings:

Straight Roller

Pinion Bearings:

Tapered Roller

Crankshaft:

One Piece Forged Alloy Steel

Connecting Rod:

Cast Steel

Crosshead Guide:

Cast Iron

Fluid End:

Plunger Type Monoblock Design.

Machined From High Strength Alloy Steel,

Heat Treated and Ultrasonic Tested

Plunger Diameter:

2.75 to 5 inches

Discharge Outlet:

2-inch 1502 Half Union

Forged Steel Connection - Either Side

Suction Inlet:

4 or 6-inch Standard Pipe

Valves and Seats:

Hardened Steel, Replaceable Inserts

Power End Lubrication:

18 GPM Required, Optional Hydraulic

Lubrication

System w/ Sump Available

Flange Connections	
Discharge Connection Sizes	Suction Connection Sizes
2 (50.8) 1502 Half Union	4 (101.6) Grooved Pipe
3 (76.2) 1502 (Optional)	6 (152.4) Optional
2 (50.8) 1502 Half Union	4 (101.6) Grooved Pipe

Pump Model W-600 FE Size:	Dimensions (inches)							
	A	B	C	D	E	F	G	H
2 3/4 - 3	4 1/2	5 1/2	2 3/8	8 3/4	5 3/8	11 1/4	4 3/4	27 1/2
3 1/2 - 4	4 1/8	6 1/4	3 1/8	9 9/32	6 1/8	12 3/8	4 3/4	27 5/8
4 1/2 - 5	4 3/8	6	3 1/32	10 13/16	7	13 1/4	4 3/4	29

W-600 Triplex Plunger Pump

**National Oilwell Varco W-600
INTERMITTENT DUTY PERFORMANCE CHART
2³/₄ " TO 5 " X 6 " SINGLE ACTING TRIPLEX PLUNGER PUMP**

ENGLISH UNITS

PLUNGER DIAMETER	DISPLACEMENT FACTORS @ 100% VOLUMETRIC EFFICIENCY	PUMP SPEED IN CRANKSHAFT REVOLUTIONS PER MINUTE (RPM)									
		50		100		200		300		450	
		CAPACITY @ 100% VE**	DISCHARGE PRESSURE	CAPACITY @ 100% VE**	DISCHARGE PRESSURE	CAPACITY @ 100% VE**	DISCHARGE PRESSURE	CAPACITY @ 100% VE**	DISCHARGE PRESSURE	CAPACITY @ 100% VE**	DISCHARGE PRESSURE
U.S. GALLONS PER REVOLUTION	US GALLONS PER MINUTE	MAXIMUM @ CAPACITY	US GALLONS PER MINUTE	MAXIMUM @ CAPACITY	US GALLONS PER MINUTE	MAXIMUM @ CAPACITY	US GALLONS PER MINUTE	MAXIMUM @ CAPACITY	US GALLONS PER MINUTE	MAXIMUM @ CAPACITY	
INCHES	GPR	GPM	PSIG	GPM	PSIG	GPM	PSIG	GPM	PSIG	GPM	PSIG
5	1.530	76	5093	153	5041	306	3025	459	2016	688	1344
4.5	1.239	62	6288	124	6224	248	3734	372	2489	558	1660
4	0.979	49	7958	98	7877	196	4726	294	3151	441	2100
3.5	0.750	37	10394	75	10288	150	6173	225	4115	337	2744
3	0.551	28	14147	55	14003	110	8402	165	5601	248	3734
2.75	0.463	23	16836	46	16665	93	9999	139	6666	208	4444
INPUT POWER @ 90% ME***	BHP	297		500		600		600		600	
PINION RPM @ 4.68 to 1 Gear Ratio		234		468		936		1404		2106	

** Volumetric Efficiency

*** Mechanical Efficiency

METRIC UNITS

PLUNGER DIAMETER	DISPLACEMENT FACTORS @ 100% VOLUMETRIC EFFICIENCY	PUMP SPEED IN CRANKSHAFT REVOLUTIONS PER MINUTE (RPM)									
		50		100		200		300		450	
		CAPACITY @ 100% VE**	DISCHARGE PRESSURE	CAPACITY @ 100% VE**	DISCHARGE PRESSURE	CAPACITY @ 100% VE**	DISCHARGE PRESSURE	CAPACITY @ 100% VE**	DISCHARGE PRESSURE	CAPACITY @ 100% VE**	DISCHARGE PRESSURE
LITRES per REV	LITRES per MIN	MAXIMUM @ CAPACITY	LITRES per MIN	MAXIMUM @ CAPACITY	LITRES per MIN	MAXIMUM @ CAPACITY	LITRES per MIN	MAXIMUM @ CAPACITY	LITRES per MIN	MAXIMUM @ CAPACITY	
mm	LPR	LPM	kPa	LPM	kPa	LPM	kPa	LPM	kPa	LPM	kPa
127	5.8	290	35116	580	34759	1159	20855	1739	13904	2608	9269
114.3	4.7	235	43353	469	42912	939	25747	1408	17165	2112	11443
101.6	3.7	185	54869	371	54311	742	32587	1113	21724	1669	14483
88.9	2.8	142	71665	284	70937	568	42562	852	28375	1278	18916
76.2	2.1	104	97544	209	96553	417	57932	626	38621	939	25747
69.9	1.8	88	116086	175	114906	351	68943	526	45962	789	30642
INPUT POWER @ 90% ME***	KW	222		373		447		447		447	
PINION RPM @ 4.68 to 1 Gear Ratio		234		468		936		1404		2106	

Accessories

Rotating Right offers a full line of accessories to ensure long trouble free and safe operation of your multiplex pumps.

Accessories Include:

- Pulsation Dampeners - Suction & Discharge
- Vibration Shock Switches
- Liquid Level Gauges & Switches
- Pressure Safety Valves
- Plunger Lubricators
- Fire Safety Valves
- High Discharge Pressure Switch
- Condensate Drain
- N.A.C.E. Valving
- Lubricator Level Controller
- API Valves
- Drive Options



Expendables



With our worldwide buying power Rotating Right is well equipped to provide a wide range of replacement parts & expendables for virtually all multiplex plunger pumps regardless of make or model.

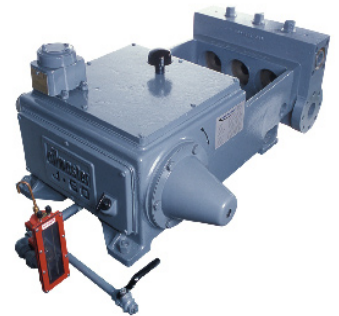


Our expendables inventory includes plungers, packing, brass, valves, bearings, crankshafts, connecting rods and seals.



Repair & Overhauls

Rotating Right service technicians follow strict quality control procedures for every pump repair and overhaul. The use of consistent and reliable re-manufacturing techniques ensure your equipment is returned to you in "Like New" condition.



Head Office:
6120 Davies Road
Edmonton, AB
T6E 4M9

Phone: (780) 485-2010 • Toll Free: (866) 707-7867
Fax: (780) 485-1938
• Calgary • Drayton Valley • Lloydminster
www.rotatingright.com