

ROTATING RIGHT

FOS, FOSBN, FOC SERIES SINGLE CARTRIDGE HOUSINGS



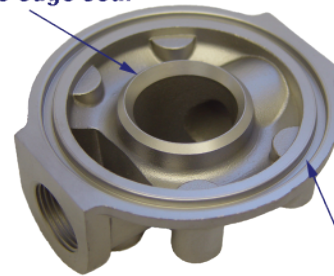
FOS, FOSBN, FOC Series **Single Cartridge Housings for Liquids**

Our proven single shell design has been a standard in the industry for over 30 years. Available in 304L or 316L Stainless Steel, Brass Nickel Plated Head with a 304L Body or Cast Iron Head with a Steel Body, the FO series is perfect for almost any application. The maximum design working pressure is 250psi @ 275°F. The FO series is available in a wide range of connection sizes to fit your application as well as a wide variety of gasket options that make this housing compatible with almost any fluid. The standard gasket material is Buna-N. Please refer to our ordering guide for a complete list of options or contact one of our technical specialists for help.

Features

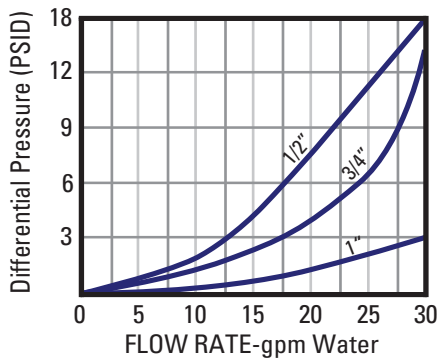
- Designed for industrial and commercial filtration needs
- Heavy duty construction for durability
- Offered in a wide variety of materials
- Simple bolt-n-nut design for quick cartridge change outs
- In line fittings for easy installation
- Knife edge seal at both cartridge ends to eliminate by-pass
- Housings accept double-open-end cartridges
- Complete selection of pipe fittings: flanged, sanitary and BSP available

*Precision machined
knife edge seal*



*Machined gasket groove
providing a positive seal*

Housing Pressure Drop vs. Flow Rate

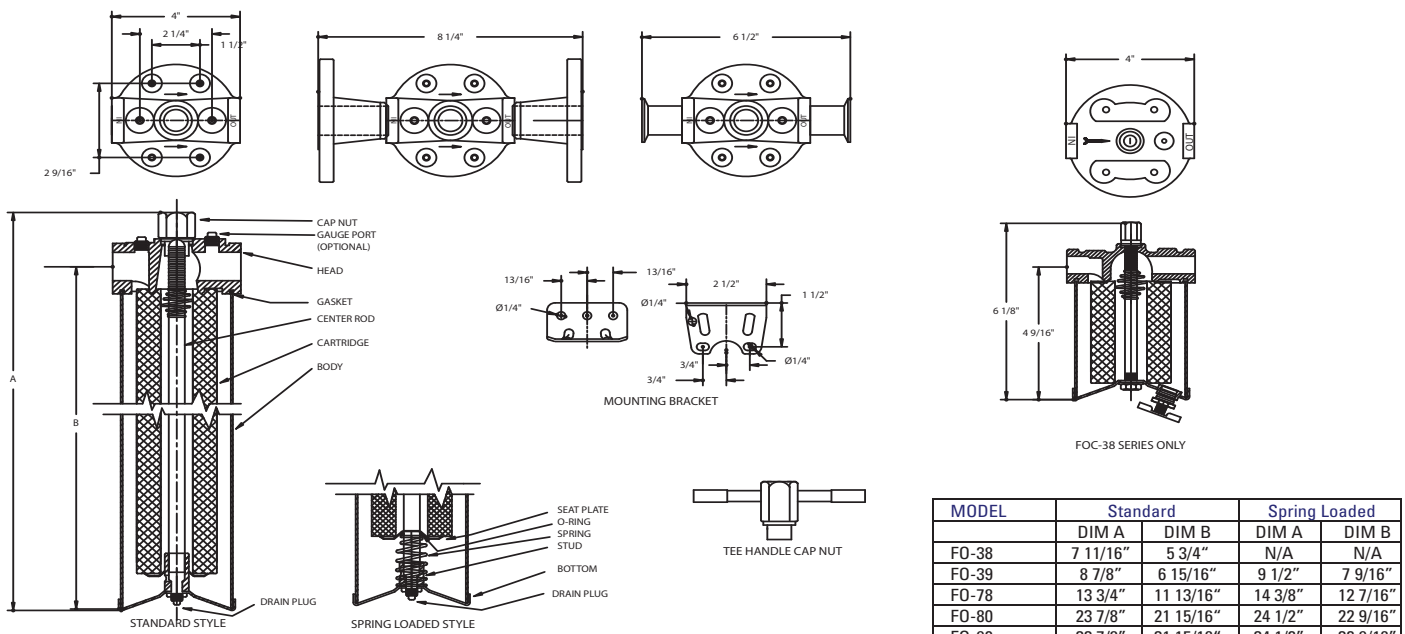


Standard Design Specifications

Model	Qty. (Length) of Cartridges	Flow Rate GPM*	Drain	Max Ctg Diameter	Approx. Ship Weight	Box Size
FO-38	1 (3 3/4")	1.75	1/4" NPT	2 3/4" OD	4 lbs	4x5x16
FO-39	1 (4 7/8")	3.5	1/8" NPT	2 3/4" OD	5 lbs	4x5x16
FO-78	1 (9 3/4")	7	1/8" NPT	2 3/4" OD	7 lbs	4x5x16
FO-80	1 (20")	14	1/8" NPT	2 3/4" OD	10 lbs	4x5x25
FO-90	1 (30")	21	1/8" NPT	2 3/4" OD	12 lbs	4x5x34

*Based on 7gpm per 10" length with a 25 micron wound cartridge at 2PSID clean and a viscosity of 1 cps. Flow rates are guide lines only. Actual flow rates are based on fluid, viscosity, cartridge type, micron ratings and other factors.

Dimensions



MODEL	Standard		Spring Loaded	
	DIM A	DIM B	DIM A	DIM B
FO-38	7 11/16"	5 3/4"	N/A	N/A
FO-39	8 7/8"	6 15/16"	9 1/2"	7 9/16"
FO-78	13 3/4"	11 13/16"	14 3/8"	12 7/16"
FO-80	23 7/8"	21 15/16"	24 1/2"	22 9/16"
FO-90	33 7/8"	31 15/16"	34 1/2"	32 9/16"

ORDERING GUIDE

FO	S	-	78	6	-	316	-	TH	-	E
Model	Material		Cartridge Length	Pipe Size FNPT		Optional Material		Options		Gasket
FO	S 304L Stainless Steel with stainless steel drain plug		38 = 3 3/4" 39 = 4 7/8" 78 = 9 3/4" 80 = 20" 90 = 30"	4 = 1/2" 6 = 3/4" 8 = 1"		Blank = 304L 316 = 316L		Blank = None BSP = BSP thread 1F = 1" Flange 1TC = 1" Ferrules *Vent = Vent Screw *GP4 = 1/4" gauge port *GP8 = 1/8" gauge port BR = Bracket Kit DSG = Variable Seal (spring loaded) TH = Tee Handle 10 = 10" Cartridge Length 195 = 19 1/2" Cartridge Length 294 = 29 1/4" Cartridge Length		Blank = Buna E = EPR S = Silicone V = Viton T = Teflon N = Neoprene VELL = Vellumoid
FO	SBN Brass nickel-plated head 304L stainless steel sump with brass petcock drain		38 = 3 3/4" 39 = 4 7/8" 78 = 9 3/4" 80 = 20" 90 = 30"	4 = 1/2" 6 = 3/4" 8 = 1"		Blank = None		Blank = None BSP = BSP thread *Vent = Vent Screw *GP4 = 1/4" gauge port *GP8 = 1/8" gauge port BR = Bracket Kit DSG = Variable Seal (spring loaded) TH = Tee Handle 10 = 10" Cartridge Length 195 = 19 1/2" Cartridge Length 294 = 29 1/4" Cartridge Length		Blank = Buna E = EPR S = Silicone V = Viton T = Teflon N = Neoprene VELL = Vellumoid
FO	C Cast iron head steel sump with brass petcock drain		38 = 3 3/4" 39 = 4 7/8" 78 = 9 3/4" 80 = 20" 90 = 30"	4 = 1/2" 6 = 3/4" 8 = 1"		Blank = None		Blank = None BSP = BSP thread *Vent = Vent Screw *GP4 = 1/4" gauge port *GP8 = 1/8" gauge port BR = Bracket Kit DSG = Variable Seal (spring loaded) TH = Tee Handle 10 = 10" Cartridge Length 195 = 19 1/2" Cartridge Length 294 = 29 1/4" Cartridge Length		Blank = Buna E = EPR S = Silicone V = Viton T = Teflon N = Neoprene VELL = Vellumoid



Head Office:
6120 Davies Road
Edmonton, AB
T6E 4M9

Phone: (780) 485-2010 • Toll Free: (866) 707-7867
Fax: (780) 485-1938
• Calgary • Drayton Valley • Lethbridge
www.rotatingright.com