

ROTATING RIGHT

# FAS, FAC SERIES SINGLE CARTRIDGE AIR & GAS HOUSINGS



## FAS, FAC SERIES

### Single Cartridge Housings For Air And Gases

Our proven single shell design has been a standard in the industry for over 30 years. Available in 304L Stainless Steel or Cast Iron Head with a Steel body, this series is perfect for almost any application. The maximum design working pressure is 250 P.S.I. (17 bar) @ 275°F (135°C). The FA Series is available in a connection size to fit your application as well as a wide variety of gasket options. The standard gasket material is Buna-N. Please refer to our ordering guide for a complete list of options or contact one of our technical specialist for help.

## Features

- Designed for industrial and commercial filtration needs
- Heavy duty construction for durability
- Offered in carbon steel and stainless steel materials
- Simple bolt-n-nut design for quick cartridge change outs
- In line fittings for easy installation
- Knife edge seal at both cartridge ends to eliminate by-pass
- Housings accept double-open-end cartridges
- Complete selection of pipe sizes



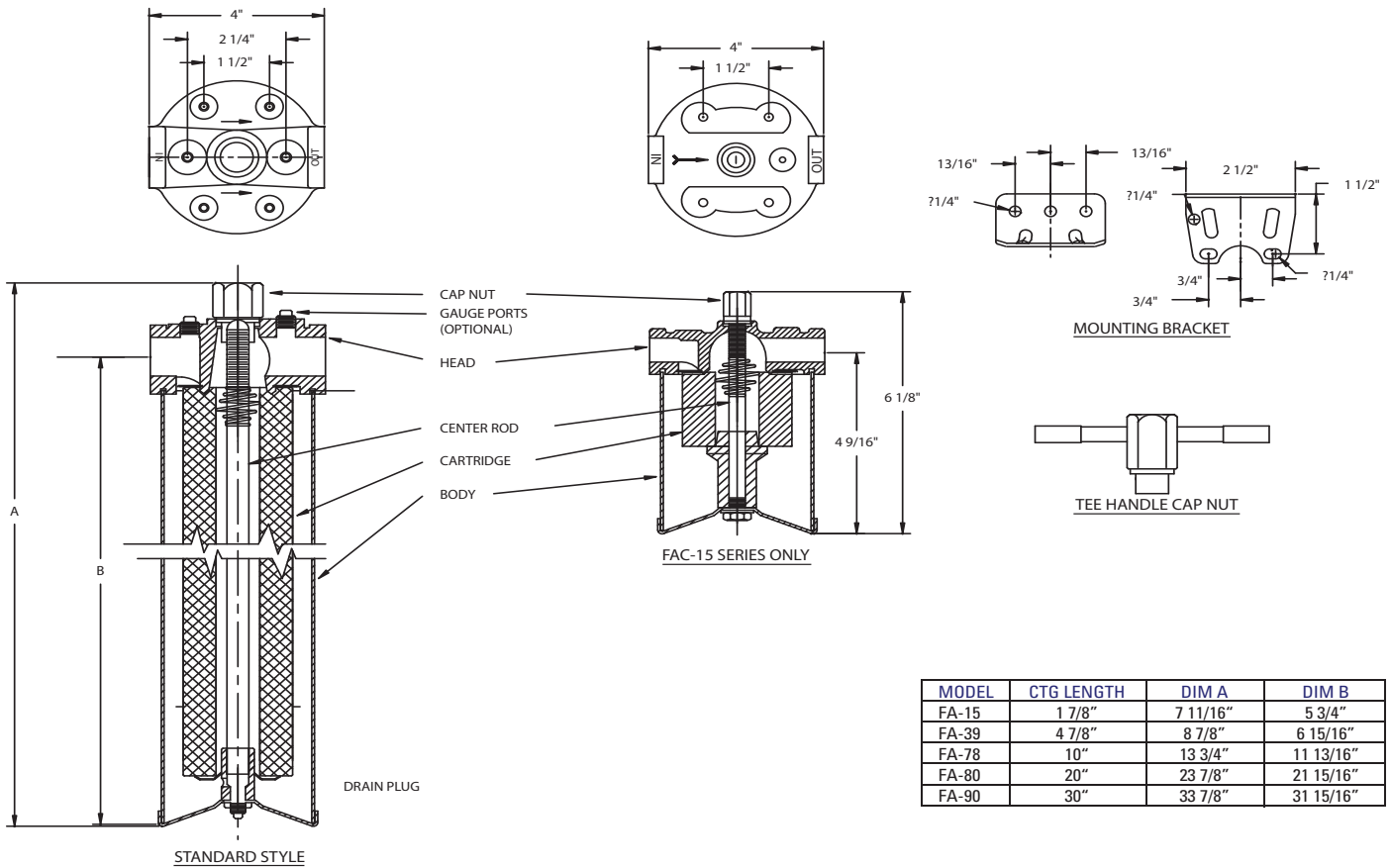
MS Series Wound Cartridges

## Standard Design Specifications

Model	No. & (length) Of Cartridge	Rated Capacity*	Drain NPT	Max Ctg Diameter	Approx. Ship Weight	Box Size	Max Pressure
FA-15	1(1 7/8")	15 SCFM	1/4"	2 5/8"	4 lbs	4x5x16	125 PSI
FA-39	1 (4 7/8")	40 SCFM	1/8"	2 5/8"	5 lbs	4x5x16	250 PSI
FA-78	1 (9 3/4")	80 SCFM	1/8"	2 5/8"	7 lbs	4x5x16	250 PSI
FA-80	1 (20")	140 SCFM	1/8"	2 5/8"	10 lbs	4x5x25	250 PSI
FA-90	1 (30")	220 SCFM	1/8"	2 5/8"	12 lbs	4x5x34	250 PSI

\*Based on air with a 10 micron wound element, 70 F, 2 psid at 80 psi. Rated Capacities are guide lines only, actual flow rates are based on cartridge type, micron ratings and other factors.

# Dimensions



MODEL	CTG LENGTH	DIM A	DIM B
FA-15	1 7/8"	7 11/16"	5 3/4"
FA-39	4 7/8"	8 7/8"	6 15/16"
FA-78	10"	13 3/4"	11 13/16"
FA-80	20"	23 7/8"	21 15/16"
FA-90	30"	33 7/8"	31 15/16"

## ORDERING GUIDE

FA	S	-	78	-	6	-	TH	-	E
Model	Material		Cartridge Length		Pipe Size FNPT		Options		Gasket
FA	<b>S</b> 304L Stainless Steel with stainless steel drain plug		39 = 4 7/8" 78 = 9 3/4" 80 = 20" 90 = 30"		4 = 1/2" 6 = 3/4" 8 = 1"		Blank = None BSP = BSP thread 1F = 1" Flange 1TC = 1" Ferrules *Vent = Vent Screw *GP4 = 1/4" gauge port *GP8 = 1/8" gauge port BR = Bracket Kit TH = Tee Handle 10 = 10" Cartridge Length 195 = 19 1/2" Cartridge Length 294 = 29 1/4" Cartridge Length		Blank = Buna E = EPR S = Silicone V = Viton T = Teflon N = Neoprene VELL = Vellumoid
FA	<b>C</b> Cast iron head steel sump with brass petcock drain		*15 = 17/8" 39 = 4 7/8" 78 = 9 3/4" 80 = 20" 90 = 30"		*2 = 1/4" *3 = 3/8" 4 = 1/2" 6 = 3/4" 8 = 1"		Blank = None BSP = BSP thread *Vent = Vent Screw *GP4 = 1/4" gauge port *GP8 = 1/8" gauge port BR = Bracket Kit TH = Tee Handle 10 = 10" Cartridge Length 195 = 19 1/2" Cartridge Length 294 = 29 1/4" Cartridge Length		Blank = Buna E = EPR S = Silicone V = Viton T = Teflon N = Neoprene VELL = Vellumoid



**Head Office:**  
6120 Davies Road  
Edmonton, AB  
T6E 4M9

Phone: (780) 485-2010 • Toll Free: (866) 707-7867  
Fax: (780) 485-1938  
• Calgary • Drayton Valley • Lethbridge  
www.rotatingright.com