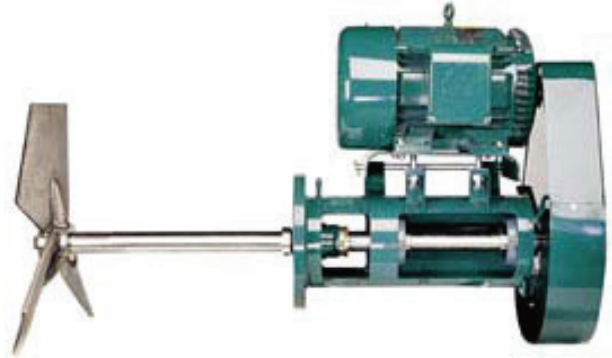


MODEL HV BELT DRIVEN SIDE ENTRY MIXERS

- Horsepower Range 1 to 60
- 316L stainless steel Shafts and impellers
- All welded construction
- V-Belt Drive
- Output speeds... 280, or 420 rpm
- Heavy duty construction assures long life with minimum maintenance
- Numerous Impeller styles available
- Extensively used in food, chemical, asphalt and other processing industries
- Mixers can be furnished with single or double mechanical seals or conventional stuffing boxes with quenching, flushing or water jacket options

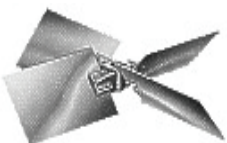


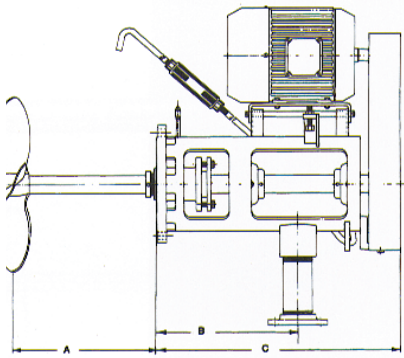
Rugged & Versatile - The MixMor Model HV is an all-welded construction, "V" belt drive mixer, which is extensively used in food, chemical, asphalt and other processing industries. Its heavy-duty construction assures long life with minimum maintenance.

Side entering mixers are used for blending, storage and off-bottom solid suspension applications. They are commonly used in major industries such as petroleum, crude oil, gasoline, chemical, edible oil, asphalt and paper mills. Because of their low initial cost and easy installation, side entering mixers are often preferred for large tanks where mixing is easily accomplished or for large storage tank applications.

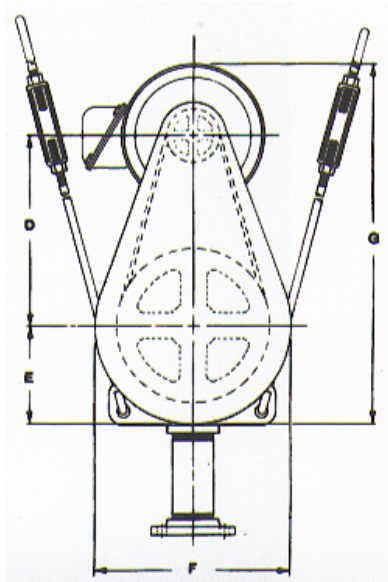
Impeller Selection -

- FloMor High Efficiency Hydrofoils, Three, Four and Wide Blade Designs
- Square and Hi-Pitch Propellers
- Pitched Blade Turbines, Three and Four Blade Designs
- ShearMor Disperser Disks, Hi-Flow and Hi-Shear
- Folding and Custom Impellers





420 RPM	Model	HP	Shaft Dia	Prop. Dia.	Flange Size	Dimensions Inches							WT. Lbs
						A	B	C	D	E	F	G	
	HV-1	1	1.5	To Suit Application	8-150#	24	14	26	15.5	9	18	30	325
	HV-1.5	1.5	1.5		8-150#	24	14	26	15.5	9	18	30	325
	HV-2	2	1.5		8-150#	24	14	26	15.5	9	18	30	330
	HV-3	3	1.5		8-150#	24	14	26	15.5	9	18	30	335
	HV-5	5	2		8-150#	24	17.5	32	15.5	9	18	30	370
	HV-7.5	7.5	2		8-150#	24	17.5	32	15.5	9	18	30	375
	HV-10	10	2		8-150#	24	17.5	32	15.5	9	18	30	380
	HV-15	15	2.5		8-150#	24	17.5	32	15.5	12	24	32	390
	HV-20	20	2.5		8-150#	24	17.5	32	15.5	12	24	32	420
	HV-25	25	2.5		8-150#	24	17.5	34	17.5	12	24	34	420
	HV-30	30	2.5		10-150#	30	25	40	25	18	36	56	440
	HV-30	30	3		12-150#	30	25	40	25	18	36	56	475
	HV-40	40	3		12-150#	30	25	40	25	18	36	56	490
	HV-50	50	3		12-150#	30	25	40	25	18	36	56	520
	HV-60	60	3		12-150#	30	25	40	25	18	36	56	525



280 RPM	Model	HP	Shaft Dia	Prop. Dia.	Flange Size	Dimensions Inches							WT. Lbs
						A	B	C	D	E	F	G	
	HV-1	1	2	To Suit Application	8-150#	24	17.5	32	15.5	9	18	30	365
	HV-1.5	1.5	2		8-150#	24	17.5	32	15.5	9	18	30	365
	HV-2	2	2		8-150#	24	17.5	32	15.5	9	18	30	370
	HV-3	3	2		8-150#	24	17.5	32	15.5	9	18	30	375
	HV-5	5	2		8-150#	24	17.5	32	15.5	9	18	30	410
	HV-7.5	7.5	2		8-150#	24	17.5	32	15.5	12	18	32	415
	HV-10	10	2		8-150#	24	17.5	32	15.5	12	24	32	420
	HV-10	10	2.5		10-150#	24	17.5	32	15.5	12	24	32	430
	HV-15	15	2.5		10-150#	24	17.5	34	15.5	12	24	34	430
	HV-20	20	2.5		10-150#	26	17.5	34	17.5	12	24	34	460
	HV-25	25	2.5		10-150#	26	25	40	25	21	42	56	460
	HV-25	25	3		12-150#	30	25	40	25	21	42	56	480
	HV-30	30	3		12-150#	30	25	41	25	21	42	56	480
	HV-40	40	3		12-150#	30	25	42	25	21	42	56	530
	HV-50	50	3		12-150#	30	25	42	25	21	42	56	560



Head Office:
6120 Davies Road
Edmonton, AB
T6E 4M9

Phone: (780) 485-2010 • Toll Free: (866) 707-7867
Fax: (780) 485-1938
• Calgary • Drayton Valley • Lethbridge
www.rotatingright.com