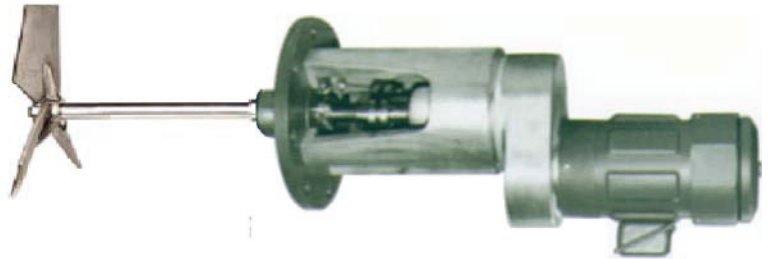


## MODEL HFG GEAR DRIVEN SIDE ENTRY MIXERS

- Horsepower Range 1 to 5
- 316L stainless steel Shafts and impellers
- All welded construction
- Reduction – single Helical Gear
- Output speeds... 280, 350 or 420 rpm
- Heavy duty construction assures long life with minimum maintenance
- Numerous Impeller styles available
- Extensively used in food, chemical, asphalt and other processing industries
- Mixers can be furnished with single or double mechanical seals or conventional stuffing boxes with quenching, flushing or water jacket options

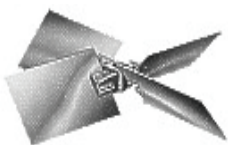


**Efficient & Compact** - The MixMor Model HFG occupies a minimum of space utilizing a single reduction helical reducer. Maintenance free gear reducer is lubricated for life.

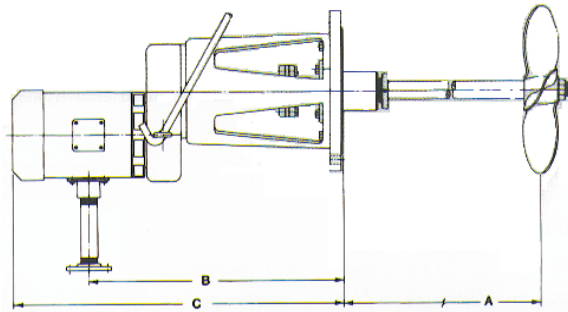
They are commonly used in major industries such as petroleum, crude oil, gasoline, chemical, edible oil, asphalt and paper mills. Because of their low initial cost and easy installation, side entering mixers are often preferred for large tanks where mixing is easily accomplished or for large storage tank applications.

### Impeller Selection -

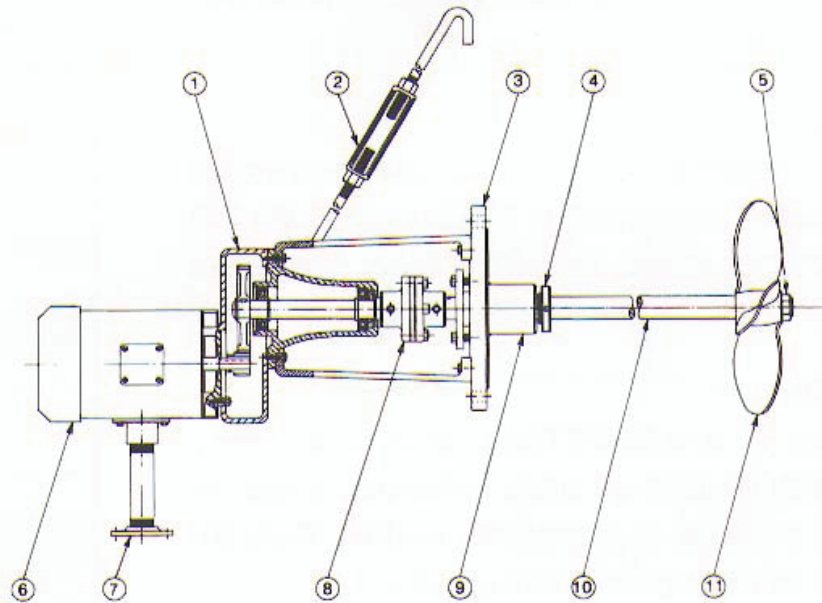
- FloMor High Efficiency Hydrofoils, Three, Four and Wide Blade Designs
- Square and Hi-Pitch Propellers
- Pitched Blade Turbines, Three and Four Blade Designs
- ShearMor Disperser Disks, Hi-Flow and Hi-Shear
- Folding and Custom Impellers



| Model   | HP  | Shaft Dia | Prop. Dia.          | Flange Size | Dimensions Inches |      |    | WT. Lbs |
|---------|-----|-----------|---------------------|-------------|-------------------|------|----|---------|
|         |     |           |                     |             | A                 | B    | C  |         |
| HFG-1   | 1   | 1.5       | To Suit Application | 8-150#      | 22                | 23   | 30 | 150     |
| HFG-1.5 | 1.5 | 1.5       |                     | 8-150#      | 22                | 23   | 30 | 155     |
| HFG-2   | 2   | 1.5       |                     | 8-150#      | 22                | 24   | 30 | 163     |
| HFG-3   | 3   | 1.5       |                     | 8-150#      | 22                | 24.5 | 31 | 190     |
| HFG-5   | 5   | 2         |                     | 8-150#      | 22                | 24.5 | 31 | 202     |



1. Gear Reducer
2. Tie Rod & Turnbuckle
3. ANSI Mounting Flange
4. Seal Collar
5. Self Locking Nut
6. Motor
7. Pedestal Base
8. Flange Coupling
9. Shaft Seal
10. Shaft
11. Impeller



**Head Office:**  
 6120 Davies Road  
 Edmonton, AB  
 T6E 4M9

Phone: (780) 485-2010 • Toll Free: (866) 707-7867  
 Fax: (780) 485-1938  
 • Calgary • Drayton Valley • Lethbridge  
[www.rotatingright.com](http://www.rotatingright.com)

